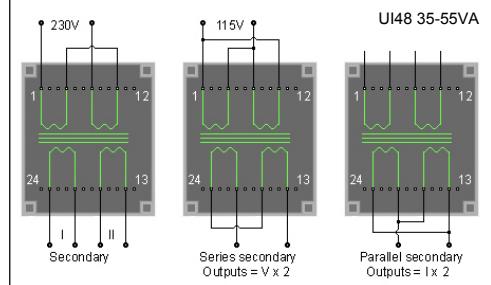
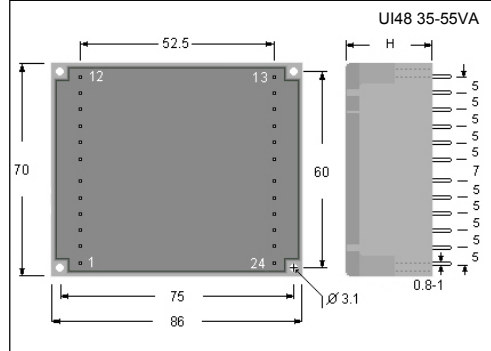
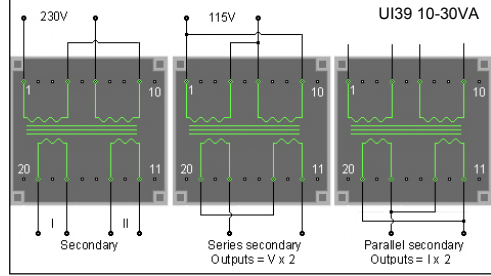
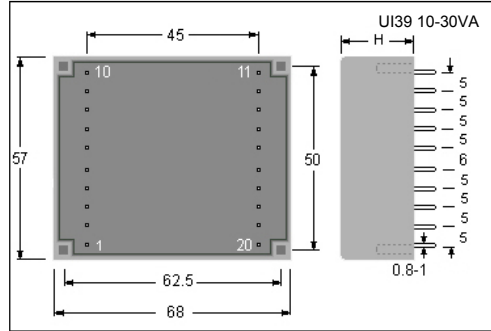
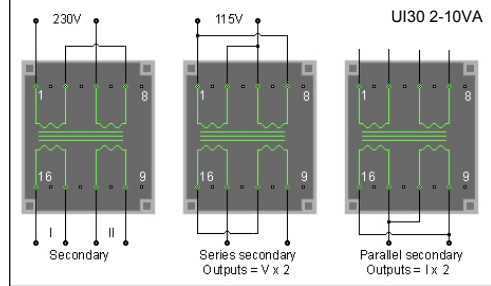
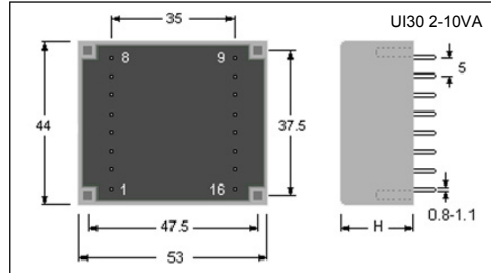




**Dimensioni fisiche in mm**  
**Physical dimensions in mm**



2VA UI 30/5.5 H=18,5mm - Weight 115gr					4VA UI 30/7.5 H=20,5mm - Weight 140gr				
Pins	1-3	7-5	16-14	10-12	Pins	1-3	7-5	16-14	10-12
Code	Pri (V)	Pri (V)	Sec(V)	Sec(V)	Code	Pri (V)	Pri (V)	Sec(V)	Sec(V)
42209500	115	115	6	6	42210500	115	115	6	6
42209600	115	115	9	9	42210600	115	115	9	9
42209700	115	115	12	12	42210700	115	115	12	12
42209800	115	115	15	15	42210800	115	115	15	15
42209900	115	115	18	18	42210900	115	115	18	18

6VA UI 30/10.5 H=23mm - Weight 175gr					10VA UI 30/16.5 H=29,5mm - Weight 240gr				
Pins	1-3	7-5	16-14	10-12	Pins	1-3	7-5	16-14	10-12
Code	Pri (V)	Pri (V)	Sec(V)	Sec(V)	Code	Pri (V)	Pri (V)	Sec(V)	Sec(V)
42211500	115	115	6	6	42212500	115	115	6	6
42211600	115	115	9	9	42212600	115	115	9	9
42211700	115	115	12	12	42212700	115	115	12	12
42211800	115	115	15	15	42212800	115	115	15	15
42211900	115	115	18	18	42212900	115	115	18	18

10VA UI 39/8 H=21,5mm - Weight 250gr					14VA UI 39/10.2 H=25mm - Weight 320gr				
Pins	1-4	9-6	17-19	14-12	Pins	1-4	9-6	17-19	14-12
Code	Pri (V)	Pri (V)	Sec(V)	Sec(V)	Code	Pri (V)	Pri (V)	Sec(V)	Sec(V)
42213000	115	115	6	6	42213500	115	115	6	6
42213010	115	115	9	9	42213600	115	115	9	9
42213020	115	115	12	12	42213700	115	115	12	12
42213030	115	115	15	15	42213800	115	115	15	15
42213040	115	115	18	18	42213900	115	115	18	18

18VA UI 39/13.5 H=28mm - Weight 380gr					24VA UI 39/17 H=32mm - Weight 450gr				
Pins	1-4	9-6	17-19	14-12	Pins	1-4	9-6	17-19	14-12
Code	Pri (V)	Pri (V)	Sec(V)	Sec(V)	Code	Pri (V)	Pri (V)	Sec(V)	Sec(V)
42214500	115	115	6	6	42215500	115	115	6	6
42214600	115	115	9	9	42215600	115	115	9	9
42214700	115	115	12	12	42215700	115	115	12	12
42214800	115	115	15	15	42215800	115	115	15	15
42214900	115	115	18	18	42215900	115	115	18	18

30VA UI 39/21 H=36mm - Weight 540gr				
Pins	1-4	9-6	17-19	14-12
Code	Pri (V)	Pri (V)	Sec(V)	Sec(V)
42216500	115	115	6	6
42216600	115	115	9	9
42216700	115	115	12	12
42216800	115	115	15	15
42216900	115	115	18	18

35VA UI 48/17 H=35mm - Weight 720gr					55VA UI 48/26 H=45mm - Weight 980gr				
Pins	1-4	10-7	14-17	23-20	Pins	1-4	10-7	14-17	23-20
Code	Pri (V)	Pri (V)	Sec(V)	Sec(V)	Code	Pri (V)	Pri (V)	Sec(V)	Sec(V)
42217500	115	115	6	6	42218500	115	115	6	6
42217600	115	115	9	9	42218600	115	115	9	9
42217700	115	115	12	12	42218700	115	115	12	12
42217800	115	115	15	15	42218800	115	115	15	15
42217900	115	115	18	18	42218900	115	115	18	18

Dati tecnici	Technical data
Conformità norme CEI EN 61558-RoHS	CEI EN 61558 approved-RoHS
Certificazione internazionale ENEC	ENEC international certification
Non protetto contro il corto circuito	Not protected against the shortcircuit
Tensione di isolamento 3750 VAC	Insulation voltage 3750 VAC
Frequenza nominale 50/60 Hz	Nominal frequency 50/60 Hz
Temperatura ambiente 40 °C	Ambient temperature 40 °C
Sistema di isolamento classe B	Class B insulation system
Grado di protezione IP00	Degree of protection IP00
Rocchetto a doppia camera	Two chambers coilformer
Avvolgimenti in rame smaltato classe H	Class H enamelled copper wire coils
Resina poliuretanic	Poliuretanic resin
Test elettrici sul 100% della produzione	100% tested production

Iso 9001 Certified

