

# TRG EI84

## Transformers 38 – 108VA

### Dati tecnici / Technical data

Conformità norme EN 61558-UL 5085 / EN 61558-UL5085 approved

Marchio ENEC; classe B / ENEC mark; class B

Marchio cURus (UL+CSA); classe A / cURus mark; class A

Tensione di isolamento 3750 VAC / Insulation voltage 3750 VAC

Frequenza nominale 50/60 Hz / Nominal frequency 50/60 Hz

Temperatura ambiente 40 °C / Ambient temperature 40 °C

Conforme alla direttiva RoHS / RoHS conform

Grado di protezione IP00 / Degree of protection IP00

Rocchetto a doppia camera / Two chambers coilformer

Avvolgimenti in rame smaltato classe H / Class H enamelled copper wire coils

Vernice isolante / Finishing varnish

Test elettrici sul 100% della produzione / 100% tested production

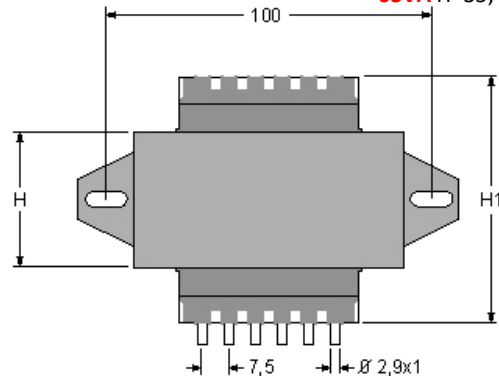
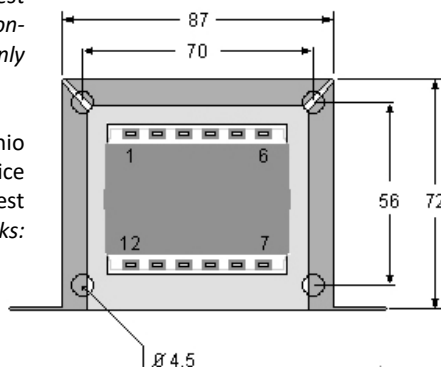


38VA EI 84/21 H1=59mm - Weight 1.1Kg			50VA EI 84/28 H1=66mm - Weight 1.33Kg			55VA EI 84/30 H1=68mm - Weight 1,43Kg			63VA EI 84/35 H1=73mm - Weight 1,63Kg		
Pins Code	1-6 Pri (V)	8-11 Sec(V)	Pins Code	1-6 Pri (V)	8-11 Sec(V)	Pins Code	1-6 Pri (V)	8-11 Sec(V)	Pins Code	1-6 Pri (V)	8-11 Sec(V)
On Request	230	6	42161001	230	6	42161501	230	6	42164501	230	6
On Request	230	9	42161011	230	9	42161511	230	9	42164511	230	9
On Request	230	12	42161021	230	12	42161521	230	12	42164521	230	12
On Request	230	15	42161031	230	15	42161531	230	15	42164531	230	15
On Request	230	18	42161041	230	18	42161541	230	18	42164541	230	18
On Request	230	24	42161051	230	24	42161551	230	24	42164551	230	24
On Request	115	6	On Request	115	6	On Request	115	6	On Request	115	6
On Request	115	9	On Request	115	9	On Request	115	9	On Request	115	9
On Request	115	12	On Request	115	12	On Request	115	12	On Request	115	12
On Request	115	15	On Request	115	15	On Request	115	15	On Request	115	15
On Request	115	18	On Request	115	18	On Request	115	18	On Request	115	18
On Request	115	24	On Request	115	24	On Request	115	24	On Request	115	24
Pins Code	1-6 Pri (V)	7-8 11-12 2xSec (V)	Pins Code	1-6 Pri (V)	7-8 11-12 2xSec (V)	Pins Code	1-6 Pri (V)	7-8 11-12 2xSec (V)	Pins Code	1-6 Pri (V)	7-8 11-12 2xSec (V)
On Request	230	2x6	42161101	230	2x6	42161901	230	2x6	42165001	230	2x6
On Request	230	2x9	42161111	230	2x9	42162001	230	2x9	42165011	230	2x9
On Request	230	2x12	42161121	230	2x12	42162501	230	2x12	42165021	230	2x12
On Request	230	2x15	42161131	230	2x15	42163001	230	2x15	42165031	230	2x15
On Request	230	2x18	42161141	230	2x18	42163501	230	2x18	42165041	230	2x18
On Request	230	2x21	42161151	230	2x21	42164001	230	2x21	42165051	230	2x21
On Request	115	2x6	On Request	115	2x6	On Request	115	2x6	On Request	115	2x6
On Request	115		On Request	115		On Request	115		On Request	115	
On Request	115		On Request	115		On Request	115		On Request	115	
On Request	115	2x21	On Request	115	2x21	On Request	115	2x21	On Request	115	2x21

### Dimensioni fisiche in mm / Physical dimensions in mm

Su richiesta primario fino a 600V secondario fino a 480V (solo marchio cURus UL+CSA) / On request primary up to 600V secondary up to 480V (only cURus UL+CSA mark)

Su richiesta solo marchio CE ed ENEC: codice XXXXXXXX0 / On request only CE and ENEC marks: code XXXXXXXX0



EI84 38-108VA



1  
Via Costamagna 8/A – 12037 SALUZZO (Cn) – ITALY  
Phone +39 0175 249400 / +39 0175 217215 – Fax +39 0175 249814

www.italtras.com italtras@italtras.com

Italtras®

# TRG EI84

## Transformers 38 – 108VA

### Dati tecnici / Technical data

Conformità norme EN 61558-UL 5085 / EN 61558-UL5085 approved

Marchio ENEC; classe B / ENEC mark; class B

Marchio cURus (UL+CSA); classe A / cURus mark; class A

Tensione di isolamento 3750 VAC / Insulation voltage 3750 VAC

Frequenza nominale 50/60 Hz / Nominal frequency 50/60 Hz

Temperatura ambiente 40 °C / Ambient temperature 40 °C

Conforme alla direttiva RoHS / RoHS conform

Grado di protezione IP00 / Degree of protection IP00

Rocchetto a doppia camera / Two chambers coilformer

Avvolgimenti in rame smaltato classe H / Class H enamelled copper wire coils

Vernice isolante / Finishing varnish

Test elettrici sul 100% della produzione / 100% tested production

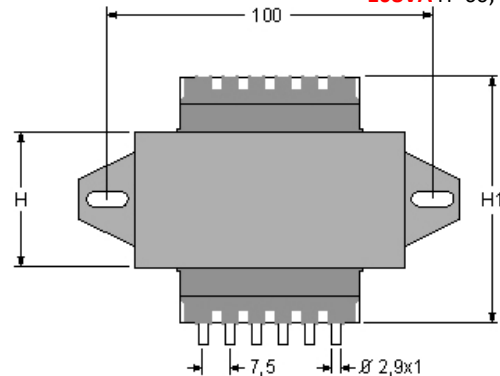
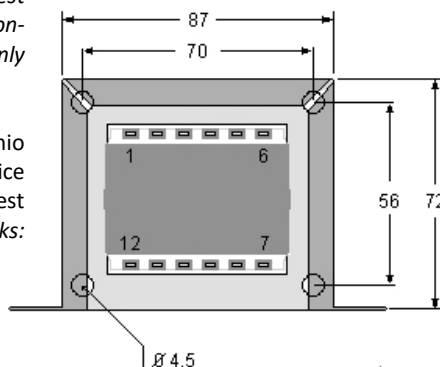


72VA EI 84/40			81VA EI 84/45			90VA EI 84/50			108VA EI 84/60		
H1=78mm - Weight 1.73Kg			H1=83mm - Weight 1.95Kg			H1=88mm - Weight 2,16Kg			H1=98mm - Weight 2.58Kg		
Pins Code	1-6 Pri (V)	8-11 Sec(V)	Pins Code	1-6 Pri (V)	8-11 Sec(V)	Pins Code	1-6 Pri (V)	8-11 Sec(V)	Pins Code	1-6 Pri (V)	8-11 Sec(V)
42165501	230	6	42169501	230	6	42170001	230	6	42171701	230	6
42165511	230	9	42169511	230	9	42170011	230	9	42171711	230	9
42165521	230	12	42169521	230	12	42170021	230	12	42171721	230	12
42165531	230	15	42169531	230	15	42170031	230	15	42171731	230	15
42165541	230	18	42169541	230	18	42170041	230	18	42171741	230	18
42165551	230	24	42169551	230	24	42170051	230	24	42171751	230	24
On Request	115	6	On Request	115	6	On Request	115	6	On Request	115	6
On Request	115	9	On Request	115	9	On Request	115	9	On Request	115	9
On Request	115	12	On Request	115	12	On Request	115	12	On Request	115	12
On Request	115	15	On Request	115	15	On Request	115	15	On Request	115	15
On Request	115	18	On Request	115	18	On Request	115	18	On Request	115	18
On Request	115	24	On Request	115	24	On Request	115	24	On Request	115	24
Pins Code	1-6 Pri (V)	7-8 11-12 2xSec (V)	Pins Code	1-6 Pri (V)	7-8 11-12 2xSec (V)	Pins Code	1-6 Pri (V)	7-8 11-12 2xSec (V)	Pins Code	1-6 Pri (V)	7-8 11-12 2xSec (V)
42166501	230	2x6	42169601	230	2x6	42170101	230	2x6	42171801	230	2x6
42167001	230	2x9	42169611	230	2x9	42170111	230	2x9	42171901	230	2x9
42167501	230	2x12	42169621	230	2x12	42170121	230	2x12	42172001	230	2x12
42168001	230	2x15	42169631	230	2x15	42170131	230	2x15	42172501	230	2x15
42168501	230	2x18	42169641	230	2x18	42170141	230	2x18	42173001	230	2x18
42169001	230	2x21	42169651	230	2x21	42170151	230	2x21	42173501	230	2x21
On Request	115	2x6	On Request	115	2x6	On Request	115	2x6	On Request	115	2x6
On Request	115		On Request	115		On Request	115		On Request	115	
On Request	115		On Request	115		On Request	115		On Request	115	
On Request	115	2x21	On Request	115	2x21	On Request	115	2x21	On Request	115	2x21

### Dimensioni fisiche in mm / Physical dimensions in mm

Su richiesta primario fino a 600V secondario fino a 480V (solo marchio cURus UL+CSA) / On request primary up to 600V secondary up to 480V (only cURus UL+CSA mark)

Su richiesta solo marchio CE ed ENEC: codice XXXXXXXX0 / On request only CE and ENEC marks: code XXXXXXXX0



EI84 38-108VA

