



FASTON VERSION

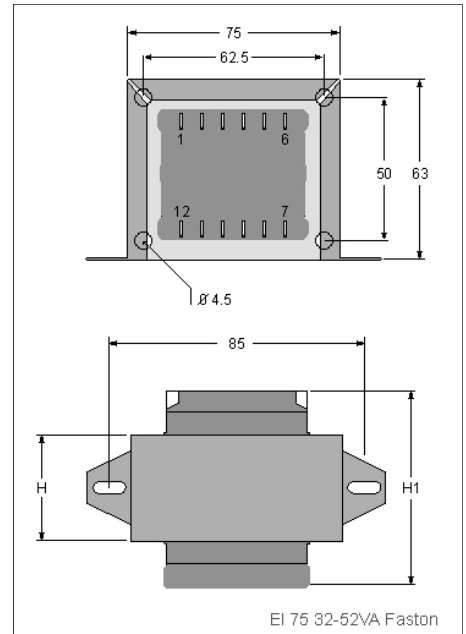
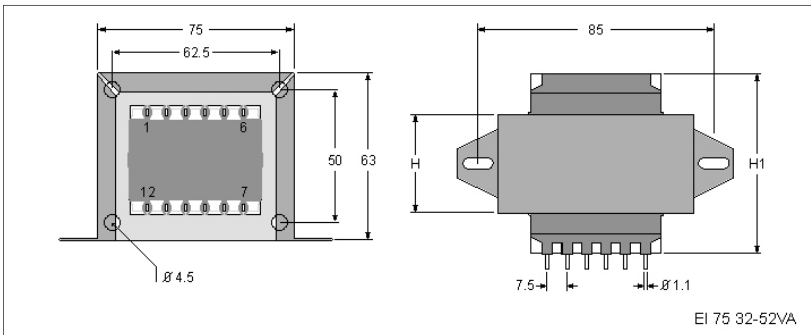
PRI (1-6) - SEC (8-11)
PRI (1-6) - 2xSEC (7-8-11-12)

Codice con 3 nel finale: xxxxxxx3
Code with 3 in the final: xxxxxxx3

32VA H1=67 mm
38VA H1=72 mm
45VA H1=77 mm
52VA H1=82 mm

Dimensioni fisiche in mm Physical dimension in mm

32VA EI 75/25 H1=52mm W. 0.94Kg			38VA EI 75/30 H1=57mm W. 1.1Kg			45VA EI 75/35 H1=62mm W. 1.25Kg			52VA EI 75/40 H1=67mm W. 1.48Kg		
Pins	1-6	8-11	Pins	1-6	8-11	Pins	1-6	8-11	Pins	1-6	8-11
Code	Pri (V)	Sec(V)	Code	Pri (V)	Sec(V)	Code	Pri (V)	Sec(V)	Code	Pri (V)	Sec(V)
42145501	230	6	42150501	230	6	42155501	230	6	42160001	230	6
42145601	230	9	42150601	230	9	42155601	230	9	42160011	230	9
42145701	230	12	42150701	230	12	42155701	230	12	42160021	230	12
42145801	230	15	42150801	230	15	42155801	230	15	42160031	230	15
42145901	230	18	42150901	230	18	42155901	230	18	42160041	230	18
42146001	230	24	42151001	230	24	42156001	230	24	42160051	230	24
On Request	115	6	On Request	115	6	On Request	115	6	On Request	115	6
On Request	115	9	On Request	115	9	On Request	115	9	On Request	115	9
On Request	115	12	On Request	115	12	On Request	115	12	On Request	115	12
On Request	115	15	On Request	115	15	On Request	115	15	On Request	115	15
On Request	115	18	On Request	115	18	On Request	115	18	On Request	115	18
On Request	115	24	On Request	115	24	On Request	115	24	On Request	115	24
Pins	1-6	7-8 11-12	Pins	1-6	7-8 11-12	Pins	1-6	7-8 11-12	Pins	1-6	7-8 11-12
42146501	230	2x6	42151501	230	2x6	42156501	230	2x6	42160101	230	2x6
42147001	230	2x9	42152001	230	2x9	42157001	230	2x9	42160111	230	2x9
42147501	230	2x12	42152501	230	2x12	42157501	230	2x12	42160121	230	2x12
42148001	230	2x15	42153001	230	2x15	42158001	230	2x15	42160131	230	2x15
42148501	230	2x18	42153501	230	2x18	42158501	230	2x18	42160141	230	2x18
42149001	230	2x21	42154001	230	2x21	42159001	230	2x21	42160151	230	2x21
On Request	115	2x6	On Request	115	2x6	On Request	115	2x6	On Request	115	2x6
On Request	115		On Request	115		On Request	115		On Request	115	
On Request	115		On Request	115		On Request	115		On Request	115	
On Request	115	2x21	On Request	115	2x21	On Request	115	2x21	On Request	115	2x21



Su richiesta primario fino a 600V secondario fino a 600V

On request primary up to 600V secondary up to 600V

Dati tecnici	Technical data
Conformità norme EN 61558-UL 5085	EN 61558-UL5085 approved
Marchio ENEC; classe B	ENEC mark; class B
Marchio cURus (UL+CSA); classe A	cURus mark; class A
Tensione di isolamento 3750 VAC	Insulation voltage 3750 VAC
Frequenza nominale 50/60 Hz	Nominal frequency 50/60 Hz
Temperatura ambiente 40 °C	Ambient temperature 40 °C
Conforme alla direttiva RoHS	RoHS conform
Grado di protezione IP00	Degree of protection IP00
Rocchetto a doppia camera	Two chambers coilformer
Avvolgimenti in rame smaltato classe H	Class H enamelled copper wire coils
Vernice isolante	Finishing varnish
Test elettrici sul 100% della produzione	100% tested production

Iso 9001 Certified





FASTON VERSION

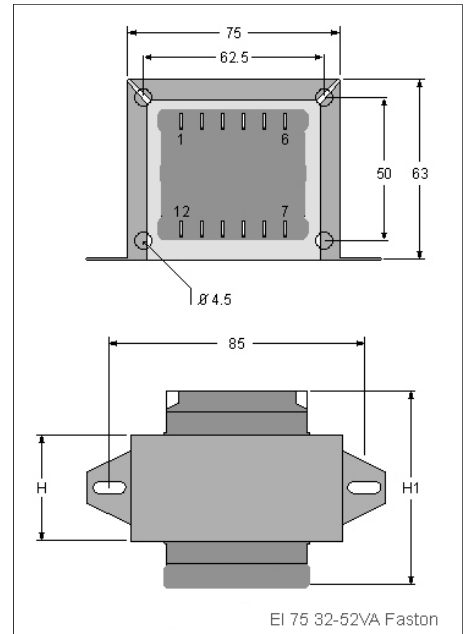
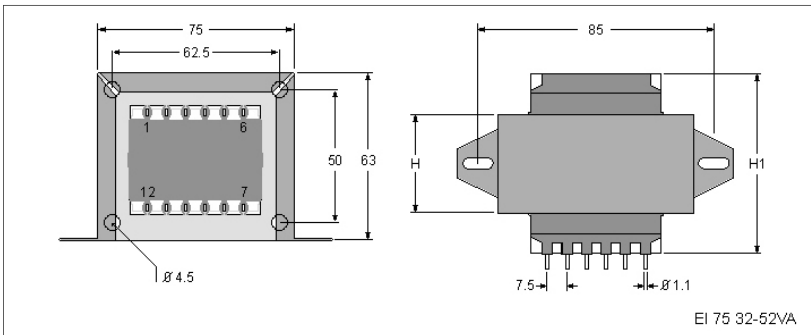
PRI (1-6) - SEC (8-11)
 PRI (1-6) - 2xSEC (7-8-11-12)

Codice con 2 nel finale: xxxxxxx2
 Code with 2 in the final: xxxxxxx2

32VA H1=67 mm
 38VA H1=72 mm
 45VA H1=77 mm
 52VA H1=82 mm

Dimensioni fisiche in mm Physical dimension in mm

32VA EI 75/25 H1=52mm W. 0.94Kg			38VA EI 75/30 H1=57mm W. 1.1Kg			45VA EI 75/35 H1=62mm W. 1.25Kg			52VA EI 75/40 H1=67mm W. 1.48Kg		
Pins	1-6	8-11	Pins	1-6	8-11	Pins	1-6	8-11	Pins	1-6	8-11
Code	Pri (V)	Sec(V)	Code	Pri (V)	Sec(V)	Code	Pri (V)	Sec(V)	Code	Pri (V)	Sec(V)
42145500	230	6	42150500	230	6	42155500	230	6	42160000	230	6
42145600	230	9	42150600	230	9	42155600	230	9	42160010	230	9
42145700	230	12	42150700	230	12	42155700	230	12	42160020	230	12
42145800	230	15	42150800	230	15	42155800	230	15	42160030	230	15
42145900	230	18	42150900	230	18	42155900	230	18	42160040	230	18
42146000	230	24	42151000	230	24	42156000	230	24	42160050	230	24
On Request	115	6	On Request	115	6	On Request	115	6	On Request	115	6
On Request	115	9	On Request	115	9	On Request	115	9	On Request	115	9
On Request	115	12	On Request	115	12	On Request	115	12	On Request	115	12
On Request	115	15	On Request	115	15	On Request	115	15	On Request	115	15
On Request	115	18	On Request	115	18	On Request	115	18	On Request	115	18
On Request	115	24	On Request	115	24	On Request	115	24	On Request	115	24
Pins	1-6	7-8 11-12	Pins	1-6	7-8 11-12	Pins	1-6	7-8 11-12	Pins	1-6	7-8 11-12
42146500	230	2x6	42151500	230	2x6	42156500	230	2x6	42160100	230	2x6
42147000	230	2x9	42152000	230	2x9	42157000	230	2x9	42160110	230	2x9
42147500	230	2x12	42152500	230	2x12	42157500	230	2x12	42160120	230	2x12
42148000	230	2x15	42153000	230	2x15	42158000	230	2x15	42160130	230	2x15
42148500	230	2x18	42153500	230	2x18	42158500	230	2x18	42160140	230	2x18
42149000	230	2x21	42154000	230	2x21	42159000	230	2x21	42160150	230	2x21
On Request	115	2x6	On Request	115	2x6	On Request	115	2x6	On Request	115	2x6
On Request	115		On Request	115		On Request	115		On Request	115	
On Request	115		On Request	115		On Request	115		On Request	115	
On Request	115	2x21	On Request	115	2x21	On Request	115	2x21	On Request	115	2x21



Dati tecnici	Technical data
Conformità alle norme CEI EN 61558 - RoHS	CEI EN 61558 approved - RoHS
Certificazione internazionale ENEC	ENEC international certification
Non protetto contro il corto circuito	Not protected against the shortcircuit
Tensione di isolamento 3750 VAC	Insulation voltage 3750 VAC
Frequenza nominale 50/60 Hz	Nominal frequency 50/60 Hz
Temperatura ambiente 40 °C	Ambient temperature 40 °C
Sistema di isolamento classe B	Class B insulation system
Grado di protezione IP00	Degree of protection IP00
Rocchetto a doppia camera	Two chambers coilformer
Avvolgimenti in rame smaltato classe H	Class H enamelled copper wire coils
Vernice Isolante	Finishing varnish
Test elettrici sul 100% della produzione	100% tested production

Iso 9001 Certified

