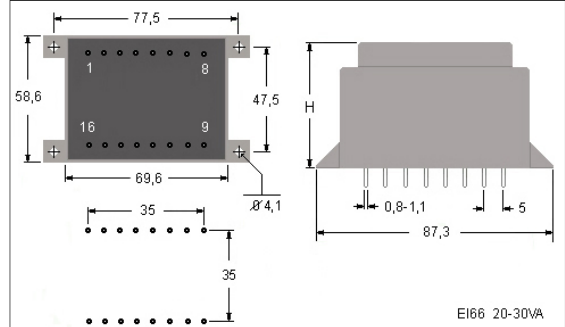




Dimensioni fisiche in mm
Physical dimension in mm



20VA EI 66/23 H=48.8mm Weight 680gr			22VA EI 66/25 H=58.5mm Weight 980gr			26VA EI 66/30 H=55.8mm Weight 1.2Kg			30VA EI 66/35 H=60.5mm Weight 1.4Kg		
Pins	1-8	10-15	Pins	1-8	10-15	Pins	1-8	10-15	Pins	1-8	10-15
Code	Pri (V)	Sec(V)	Code	Pri (V)	Sec(V)	Code	Pri (V)	Sec(V)	Code	Pri (V)	Sec(V)
On request	230	6	42050001	230	6	42055001	230	6	42060001	230	6
On request	230	9	42050201	230	9	42055201	230	9	42060201	230	9
On request	230	12	42050401	230	12	42055401	230	12	42060401	230	12
On request	230	15	42050601	230	15	42055601	230	15	42060601	230	15
On request	230	18	42050801	230	18	42055801	230	18	42060801	230	18
On request	230	24	42051001	230	24	42056001	230	24	42061001	230	24
On request	115	6	42051201	115	6	42056201	115	6	42061201	115	6
On request	115	9	42051401	115	9	42056401	115	9	42061401	115	9
On request	115	12	42051601	115	12	42056601	115	12	42061601	115	12
On request	115	15	42051801	115	15	42056801	115	15	42061801	115	15
On request	115	18	42052001	115	18	42057001	115	18	42062001	115	18
On request	115	24	42052201	115	24	42057201	115	24	42062201	115	24
Pins	1-8	9-10 15-16	Pins	1-8	9-10 15-16	Pins	1-8	9-10 15-16	Pins	1-8	9-10 15-16
On request	230	2x6	42052401	230	2x6	42057401	230	2x6	42062401	230	2x6
On request	230	2x9	42052601	230	2x9	42057601	230	2x9	42062601	230	2x9
On request	230	2x12	42052801	230	2x12	42057801	230	2x12	42062801	230	2x12
On request	230	2x15	42053001	230	2x15	42058001	230	2x15	42063001	230	2x15
On request	230	2x18	42053201	230	2x18	42058201	230	2x18	42063201	230	2x18
On request	115	2x6	42053601	115	2x6	42058601	115	2x6	42063601	115	2x6
On request	115	2x9	42053801	115	2x9	42058801	115	2x9	42063801	115	2x9
On request	115	2x12	42054001	115	2x12	42059001	115	2x12	42064001	115	2x12
On request	115	2x15	42054201	115	2x15	42059201	115	2x15	42064201	115	2x15
On request	115	2x18	42054401	115	2x18	42059401	115	2x18	42064401	115	2x18

Faston Version 16-30VA



A	B	S	H	H1	F	D	I	I1	I2	I3	C	P	E	Power
69.6	59.0	1.2	32.0	44.2	94.0	82.0	12.8	25.8			22	18	33	16 VA
69.6	59.0	1.2	37.0	49.2	94.0	82.0	12.8	25.8			22	23	33	20 VA
69.6	59.0	1.2	44.0	56.2	94.0	82.0	11.8	24.8	37.8		22	30	33	26 VA
69.6	59.0	1.2	48.7	60.9	94.0	82.0	6.5	16.5	29.5	42.5	22	35	33	30 VA

Non codificati: su specifica

Not coded: on specifications

Dati tecnici	Technical data
Conformità norme EN 61558-UL 5085	EN 61558-UL5085 approved
Marchio ENEC; classe B	ENEC mark; class B
Marchio cURus (UL+CSA); classe A	cURus mark; class A
Tensione di isolamento 3750 VAC	Insulation voltage 3750 VAC
Frequenza nominale 50/60 Hz	Nominal frequency 50/60 Hz
Temperatura ambiente 40 °C	Ambient temperature 40 °C
Conforme alla direttiva RoHS	RoHS conform
Grado di protezione IP00	Degree of protection IP00
Rocchetto a doppia camera	Two chambers coilformer
Avvolgimenti in rame smaltato classe H	Class H enamelled copper wire coils
Resina poliuretanic	Poliuretanic resin
Test elettrici sul 100% della produzione	100% tested production

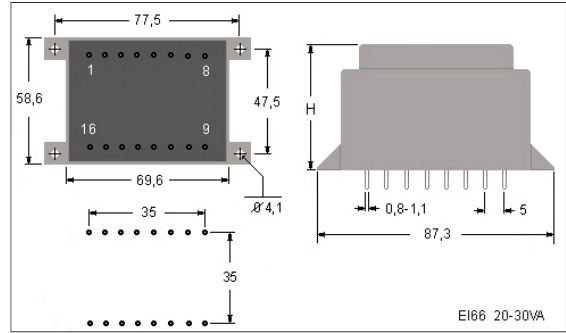


Su richiesta primario fino a 600V secondario fino a 480V
On request primary up to 600V secondary up to 480V



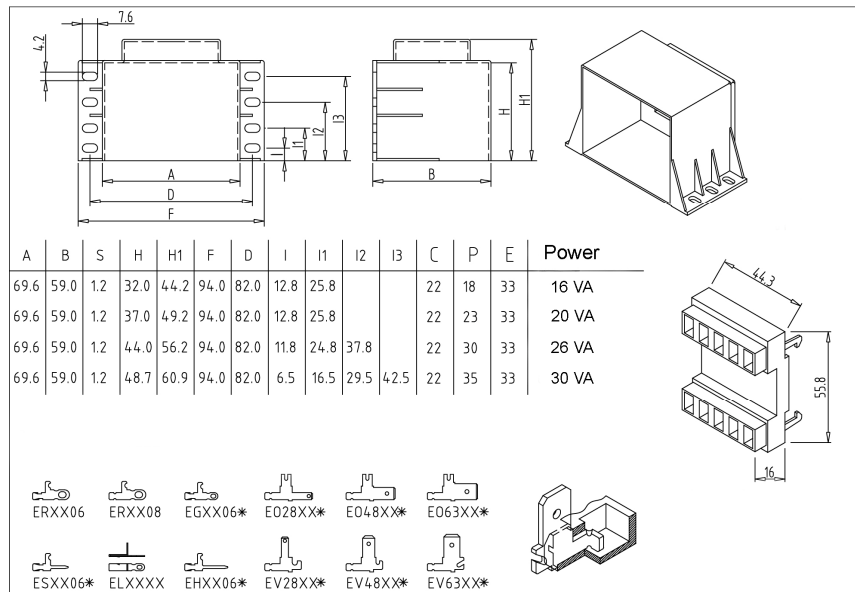


Dimensioni fisiche in mm
Physical dimension in mm



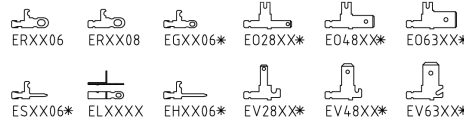
20VA EI 66/23 H=48.8mm Weight 680gr			22VA EI 66/25 H=58.5mm Weight 980gr			26VA EI 66/30 H=55.8mm Weight 1.2Kg			30VA EI 66/35 H=60.5mm Weight 1.4Kg		
Pins	1-8	10-15	Pins	1-8	10-15	Pins	1-8	10-15	Pins	1-8	10-15
Code	Pri (V)	Sec(V)	Code	Pri (V)	Sec(V)	Code	Pri (V)	Sec(V)	Code	Pri (V)	Sec(V)
On request	230	6	42050000	230	6	42055000	230	6	42060000	230	6
On request	230	9	42050200	230	9	42055200	230	9	42060200	230	9
On request	230	12	42050400	230	12	42055400	230	12	42060400	230	12
On request	230	15	42050600	230	15	42055600	230	15	42060600	230	15
On request	230	18	42050800	230	18	42055800	230	18	42060800	230	18
On request	230	24	42051000	230	24	42056000	230	24	42061000	230	24
On request	115	6	42051200	115	6	42056200	115	6	42061200	115	6
On request	115	9	42051400	115	9	42056400	115	9	42061400	115	9
On request	115	12	42051600	115	12	42056600	115	12	42061600	115	12
On request	115	15	42051800	115	15	42056800	115	15	42061800	115	15
On request	115	18	42052000	115	18	42057000	115	18	42062000	115	18
On request	115	24	42052200	115	24	42057200	115	24	42062200	115	24
Pins	1-8	9-10 15-16	Pins	1-8	9-10 15-16	Pins	1-8	9-10 15-16	Pins	1-8	9-10 15-16
On request	230	2x6	42052400	230	2x6	42057400	230	2x6	42062400	230	2x6
On request	230	2x9	42052600	230	2x9	42057600	230	2x9	42062600	230	2x9
On request	230	2x12	42052800	230	2x12	42057800	230	2x12	42062800	230	2x12
On request	230	2x15	42053000	230	2x15	42058000	230	2x15	42063000	230	2x15
On request	230	2x18	42053200	230	2x18	42058200	230	2x18	42063200	230	2x18
On request	115	2x6	42053600	115	2x6	42058600	115	2x6	42063600	115	2x6
On request	115	2x9	42053800	115	2x9	42058800	115	2x9	42063800	115	2x9
On request	115	2x12	42054000	115	2x12	42059000	115	2x12	42064000	115	2x12
On request	115	2x15	42054200	115	2x15	42059200	115	2x15	42064200	115	2x15
On request	115	2x18	42054400	115	2x18	42059400	115	2x18	42064400	115	2x18

Faston Version 16-30VA



Non codificati: su specifica

Not coded: on specifications



Dati tecnici	Technical data
Conformità alle norme CEI EN 61558 - RoHS	CEI EN 61558 approved - RoHS
Certificazione internazionale ENEC	ENEC international certification
Non protetto contro il corto circuito	Not protected against the shortcircuit
Tensione di isolamento 3750 VAC	Insulation voltage 3750 VAC
Frequenza nominale 50/60 Hz	Nominal frequency 50/60 Hz
Temperatura ambiente 40 °C	Ambient temperature 40 °C
Sistema di isolamento classe B	Class B insulation system
Grado di protezione IP00	Degree of protection IP00
Rocchetto a doppia camera	Two chambers coilformer
Avvolgimenti in rame smaltato classe H	Class H enamelled copper wire coils
Resina poliuretanic	Poliuretanic resin
Test elettrici sul 100% della produzione	100% tested production

Iso 9001 Certified

