



### FASTON VERSION

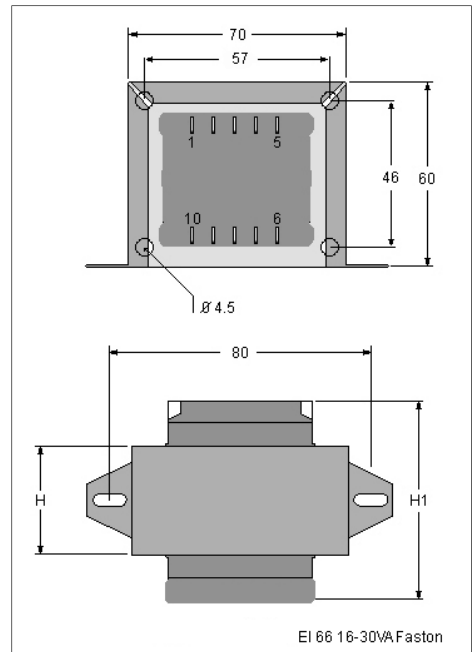
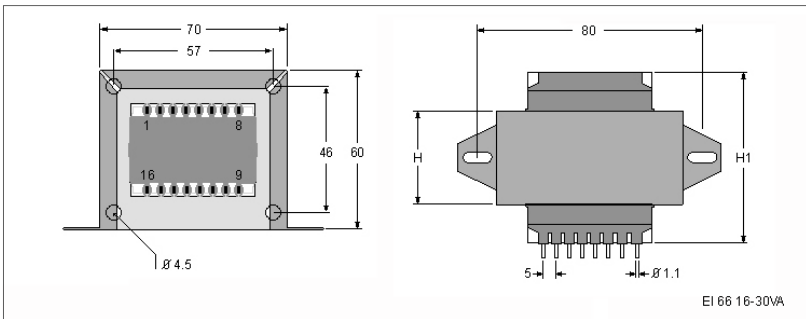
PRI (1-5) - SEC (7-9)  
PRI (1-5) - 2xSEC (6-7-9-10)

Codice con 3 nel finale: xxxxxx3  
Code with 3 in the final: xxxxxx3

16VA H1=56mm on request  
20VA H1=63 mm  
22VA H1=66 mm  
26VA H1=71 mm  
30VA H1=76 mm

Dimensioni fisiche in mm Physical dimension in mm

20VA EI 66/23 H1=52mm W. 623gr			22VA EI 66/25 H1=55mm W. 685gr			26VA EI 66/30 H1=60mm W. 920gr			30VA EI 66/35 H1=65mm W. 1.01Kg		
Pins	1-8	10-15	Pins	1-8	10-15	Pins	1-8	10-15	Pins	1-8	10-15
Code	Pri (V)	Sec(V)	Code	Pri (V)	Sec(V)	Code	Pri (V)	Sec(V)	Code	Pri (V)	Sec(V)
42144101	230	6	42144301	230	6	42144501	230	6	42144701	230	6
42144111	230	9	42144311	230	9	42144511	230	9	42144711	230	9
42144121	230	12	42144321	230	12	42144521	230	12	42144721	230	12
42144131	230	15	42144331	230	15	42144531	230	15	42144731	230	15
42144141	230	18	42144341	230	18	42144541	230	18	42144741	230	18
42144151	230	24	42144351	230	24	42144551	230	24	42144751	230	24
On request	115	6	On request	115	6	On request	115	6	On request	115	6
On request	115	9	On request	115	9	On request	115	9	On request	115	9
On request	115	12	On request	115	12	On request	115	12	On request	115	12
On request	115	15	On request	115	15	On request	115	15	On request	115	15
On request	115	18	On request	115	18	On request	115	18	On request	115	18
On request	115	24	On request	115	24	On request	115	24	On request	115	24
Pins	1-8	9-10 15-16	Pins	1-8	9-10 15-16	Pins	1-8	9-10 15-16	Pins	1-8	9-10 15-16
42144201	230	2x6	42144401	230	2x6	42144601	230	2x6	42144801	230	2x6
42144211	230	2x9	42144411	230	2x9	42144611	230	2x9	42144811	230	2x9
42144221	230	2x12	42144421	230	2x12	42144621	230	2x12	42144821	230	2x12
42144231	230	2x15	42144431	230	2x15	42144631	230	2x15	42144831	230	2x15
42144241	230	2x18	42144441	230	2x18	42144641	230	2x18	42144841	230	2x18
42144251	230	2x21	42144451	230	2x21	42144651	230	2x21	42144851	230	2x21
On request	115	2x6	On request	115	2x6	On request	115	2x6	On request	115	2x6
On request	115		On request	115		On request	115		On request	115	
On request	115		On request	115		On request	115		On request	115	
On request	115	2x21	On request	115	2x21	On request	115	2x21	On request	115	2x21



Su richiesta primario fino a 600V secondario fino a 600V

On request primary up to 600V secondary up to 600V

Dati tecnici	Technical data
Conformità norme EN 61558-UL 5085	EN 61558-UL5085 approved
Marchio ENEC; classe B	ENEC mark; class B
Marchio cURus (UL+CSA); classe A	cURus mark; class A
Tensione di isolamento 3750 VAC	Insulation voltage 3750 VAC
Frequenza nominale 50/60 Hz	Nominal frequency 50/60 Hz
Temperatura ambiente 40 °C	Ambient temperature 40 °C
Conforme alla direttiva RoHS	RoHS conform
Grado di protezione IP00	Degree of protection IP00
Rocchetto a doppia camera	Two chambers coilformer
Avvolgimenti in rame smaltato classe H	Class H enamelled copper wire coils
Vernice isolante	Finishing varnish
Test elettrici sul 100% della produzione	100% tested production

Iso 9001 Certified





### FASTON VERSION

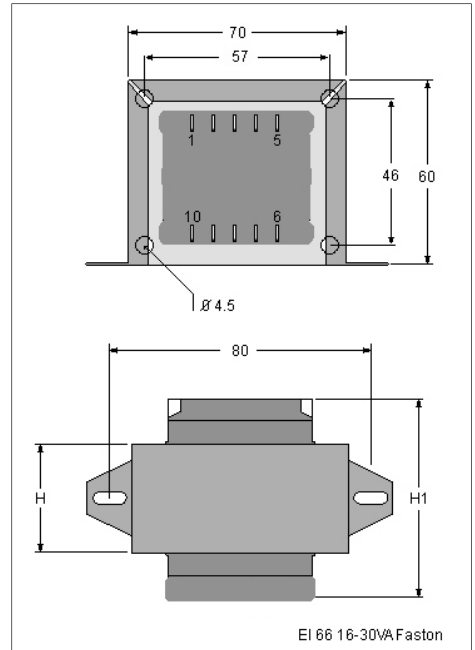
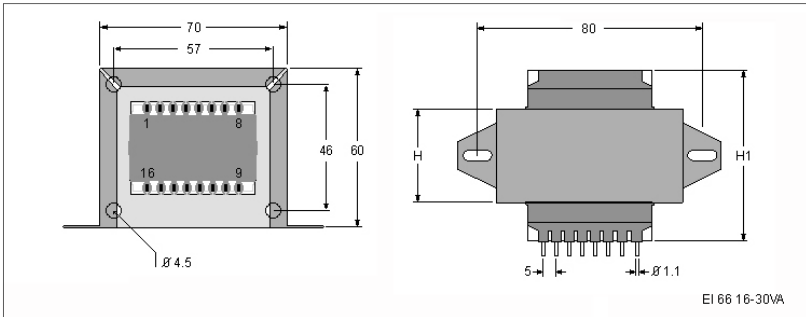
PRI (1-5) - SEC (7-9)  
 PRI (1-5) - 2xSEC (6-7-9-10)

Codice con 2 nel finale: xxxxxx2  
 Code with 2 in the final: xxxxxx2

16VA H1=56mm on request  
 20VA H1=63 mm  
 22VA H1=66 mm  
 26VA H1=71 mm  
 30VA H1=76 mm

Dimensioni fisiche in mm Physical dimension in mm

20VA EI 66/23 H1=52mm W. 623gr			22VA EI 66/25 H1=55mm W. 685gr			26VA EI 66/30 H1=60mm W. 920gr			30VA EI 66/35 H1=65mm W. 1.01Kg		
Pins	1-8	10-15	Pins	1-8	10-15	Pins	1-8	10-15	Pins	1-8	10-15
Code	Pri (V)	Sec(V)	Code	Pri (V)	Sec(V)	Code	Pri (V)	Sec(V)	Code	Pri (V)	Sec(V)
42144100	230	6	42144300	230	6	42144500	230	6	42144700	230	6
42144110	230	9	42144310	230	9	42144510	230	9	42144710	230	9
42144120	230	12	42144320	230	12	42144520	230	12	42144720	230	12
42144130	230	15	42144330	230	15	42144530	230	15	42144730	230	15
42144140	230	18	42144340	230	18	42144540	230	18	42144740	230	18
42144150	230	24	42144350	230	24	42144550	230	24	42144750	230	24
On request	115	6	On request	115	6	On request	115	6	On request	115	6
On request	115	9	On request	115	9	On request	115	9	On request	115	9
On request	115	12	On request	115	12	On request	115	12	On request	115	12
On request	115	15	On request	115	15	On request	115	15	On request	115	15
On request	115	18	On request	115	18	On request	115	18	On request	115	18
On request	115	24	On request	115	24	On request	115	24	On request	115	24
Pins	1-8	9-10 15-16	Pins	1-8	9-10 15-16	Pins	1-8	9-10 15-16	Pins	1-8	9-10 15-16
42144200	230	2x6	42144400	230	2x6	42144600	230	2x6	42144800	230	2x6
42144210	230	2x9	42144410	230	2x9	42144610	230	2x9	42144810	230	2x9
42144220	230	2x12	42144420	230	2x12	42144620	230	2x12	42144820	230	2x12
42144230	230	2x15	42144430	230	2x15	42144630	230	2x15	42144830	230	2x15
42144240	230	2x18	42144440	230	2x18	42144640	230	2x18	42144840	230	2x18
42144250	230	2x21	42144450	230	2x21	42144650	230	2x21	42144850	230	2x21
On request	115	2x6	On request	115	2x6	On request	115	2x6	On request	115	2x6
On request	115		On request	115		On request	115		On request	115	
On request	115		On request	115		On request	115		On request	115	
On request	115	2x21	On request	115	2x21	On request	115	2x21	On request	115	2x21



Dati tecnici	Technical data
Conformità alle norme CEI EN 61558 - RoHS	CEI EN 61558 approved - RoHS
Certificazione internazionale ENEC	ENEC international certification
Non protetto contro il corto circuito	Not protected against the shortcircuit
Tensione di isolamento 3750 VAC	Insulation voltage 3750 VAC
Frequenza nominale 50/60 Hz	Nominal frequency 50/60 Hz
Temperatura ambiente 40 °C	Ambient temperature 40 °C
Sistema di isolamento classe B	Class B insulation system
Grado di protezione IP00	Degree of protection IP00
Rocchetto a doppia camera	Two chambers coilformer
Avvolgimenti in rame smaltato classe H	Class H enamelled copper wire coils
Resina poliuretanic	Poliuretanic resin
Test elettrici sul 100% della produzione	100% tested production

Iso 9001 Certified

