

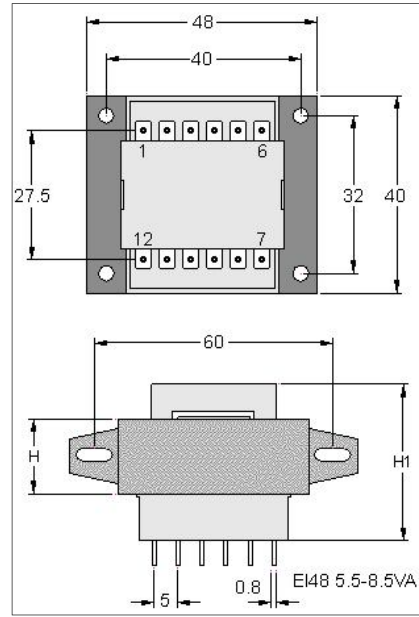
### 2.5VA EI40/15 H1=31,5mm-Weight 165gr

Pins	1-5	7-9
Code	Pri (V)	Sec(V)
42114500	230	6
42115000	230	9
42115500	230	12
42116000	230	15
42116500	230	18
42117000	230	24
On request	115	6
On request	115	9
On request	115	12
On request	115	15
On request	115	18
On request	115	24
Pins	1-5	6-7 9-10
42117500	230	2x6
42118000	230	2x9
42118500	230	2x12
42119000	230	2x15
42119500	230	2x18
42119600	230	2x21
On request	115	2x6
On request	115	
On request	115	
On request	115	2x21

### 3.2VA EI40/20 H1=36.5mm-Weight 220gr

Pins	1-5	7-9
Code	Pri (V)	Sec(V)
42120000	230	6
42120100	230	9
42120200	230	12
42120300	230	15
42120400	230	18
42120500	230	24
On request	115	6
On request	115	9
On request	115	12
On request	115	15
On request	115	18
On request	115	24
Pins	1-5	6-7 9-10
42121000	230	2x6
42121100	230	2x9
42121200	230	2x12
42121300	230	2x15
42121400	230	2x18
42121500	230	2x21
On request	115	2x6
On request	115	
On request	115	
On request	115	2x21

Dimensioni fisiche in mm Physical dimension in mm



### 5.5VA EI 48/16 H1=34mm-Weight 250gr

Pins	1-6	8-11
Code	Pri (V)	Sec(V)
42121900	230	6
42122000	230	9
42122100	230	12
42122200	230	15
42122300	230	18
42122400	230	24
On request	115	6
On request	115	9
On request	115	12
On request	115	15
On request	115	18
On request	115	24
Pins	1-6	7-8 11-12
42122500	230	2x6
42123000	230	2x9
42123500	230	2x12
42124000	230	2x15
42124500	230	2x18
42125000	230	2x21
On request	115	2x6
On request	115	
On request	115	
On request	115	2x21

### 7VA EI 48/20 H1=38mm-Weight 315gr

Pins	1-6	8-11
Code	Pri (V)	Sec(V)
42125100	230	6
42125200	230	9
42125300	230	12
42125400	230	15
42125500	230	18
42125600	230	24
On request	115	6
On request	115	9
On request	115	12
On request	115	15
On request	115	18
On request	115	24
Pins	1-6	7-8 11-12
42125700	230	2x6
42125800	230	2x9
42125900	230	2x12
42126000	230	2x15
42126100	230	2x18
42126200	230	2x21
On request	115	2x6
On request	115	
On request	115	
On request	115	2x21

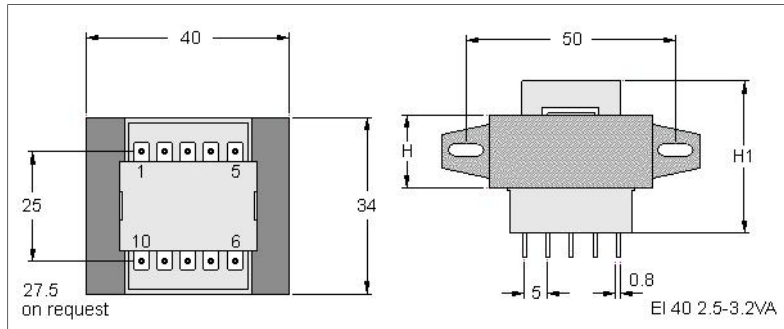
### 8.5VA EI 48/25 H1=43mm-Weight 370gr

Pins	1-6	8-11
Code	Pri (V)	Sec(V)
42126900	230	6
42127000	230	9
42127100	230	12
42127200	230	15
42127300	230	18
42127400	230	24
On request	115	6
On request	115	9
On request	115	12
On request	115	15
On request	115	18
On request	115	24
Pins	1-6	7-8 11-12
42127500	230	2x6
42128000	230	2x9
42128500	230	2x12
42129000	230	2x15
42129500	230	2x18
42129600	230	2x21
On request	115	2x6
On request	115	
On request	115	
On request	115	2x21

Dati tecnici	Technical data
Conformità alle norme CEI EN 61558 - RoHS	CEI EN 61558 approved - RoHS
Certificazione internazionale ENEC	ENEC international certification
Non protetto contro il corto circuito	Not protected against the shortcircuit
Tensione di isolamento 3750 VAC	Insulation voltage 3750 VAC
Frequenza nominale 50/60 Hz	Nominal frequency 50/60 Hz
Temperatura ambiente 40 °C	Ambient temperature 40 °C
Sistema di isolamento classe B	Class B insulation system
Grado di protezione IP00	Degree of protection IP00
Rocchetto a doppia camera	Two chambers coilformer
Avvolgimenti in rame smaltato classe H	Class H enamelled copper wire coils
Vernice isolante	Finishing varnish
Test elettrici sul 100% della produzione	100% tested production

Iso 9001 Certified





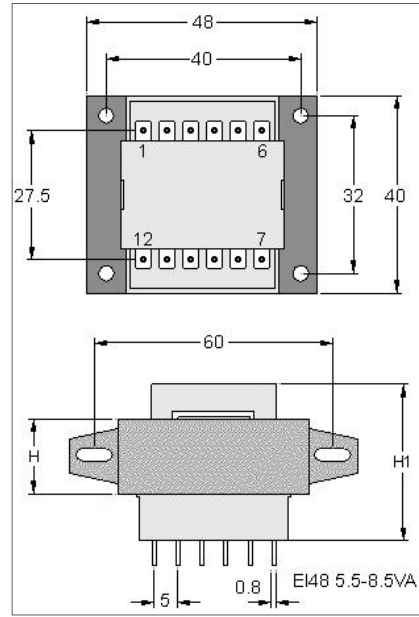
### 2.5VA EI40/15 H1=31,5mm-Weight 165gr

Pins	1-5	7-9
Code	Pri (V)	Sec(V)
42114501	230	6
42115001	230	9
42115501	230	12
42116001	230	15
42116501	230	18
42117001	230	24
On request	115	6
On request	115	9
On request	115	12
On request	115	15
On request	115	18
On request	115	24
Pins	1-5	6-7 9-10
42117501	230	2x6
42118001	230	2x9
42118501	230	2x12
42119001	230	2x15
42119501	230	2x18
42119601	230	2x21
On request	115	2x6
On request	115	
On request	115	
On request	115	2x21

### 3.2VA EI40/20 H1=36,5mm-Weight 220gr

Pins	1-5	7-9
Code	Pri (V)	Sec(V)
42120001	230	6
42120101	230	9
42120201	230	12
42120301	230	15
42120401	230	18
42120501	230	24
On request	115	6
On request	115	9
On request	115	12
On request	115	15
On request	115	18
On request	115	24
Pins	1-5	6-7 9-10
42121001	230	2x6
42121101	230	2x9
42121201	230	2x12
42121301	230	2x15
42121401	230	2x18
42121501	230	2x21
On request	115	2x6
On request	115	
On request	115	
On request	115	2x21

Dimensioni fisiche in mm Physical dimension in mm



### 5.5VA EI 48/16 H1=34mm-Weight 250gr

Pins	1-6	8-11
Code	Pri (V)	Sec(V)
42121901	230	6
42122001	230	9
42122101	230	12
42122201	230	15
42122301	230	18
42122401	230	24
On request	115	6
On request	115	9
On request	115	12
On request	115	15
On request	115	18
On request	115	24
Pins	1-6	7-8 11-12
42122501	230	2x6
42123001	230	2x9
42123501	230	2x12
42124001	230	2x15
42124501	230	2x18
42125001	230	2x21
On request	115	2x6
On request	115	
On request	115	
On request	115	2x21

### 7VA EI 48/20 H1=38mm-Weight 315gr

Pins	1-6	8-11
Code	Pri (V)	Sec(V)
42125101	230	6
42125201	230	9
42125301	230	12
42125401	230	15
42125501	230	18
42125601	230	24
On request	115	6
On request	115	9
On request	115	12
On request	115	15
On request	115	18
On request	115	24
Pins	1-6	7-8 11-12
42125701	230	2x6
42125801	230	2x9
42125901	230	2x12
42126001	230	2x15
42126101	230	2x18
42126201	230	2x21
On request	115	2x6
On request	115	
On request	115	
On request	115	2x21

### 8.5VA EI 48/25 H1=43mm-Weight 370gr

Pins	1-6	8-11
Code	Pri (V)	Sec(V)
42126901	230	6
42127001	230	9
42127101	230	12
42127201	230	15
42127301	230	18
42127401	230	24
On request	115	6
On request	115	9
On request	115	12
On request	115	15
On request	115	18
On request	115	24
Pins	1-6	7-8 11-12
42127501	230	2x6
42128001	230	2x9
42128501	230	2x12
42129001	230	2x15
42129501	230	2x18
42129601	230	2x21
On request	115	2x6
On request	115	
On request	115	
On request	115	2x21

Dati tecnici	Technical data
Conformità norme EN 61558-UL 5085	EN 61558-UL5085 approved
Marchio ENEC; classe B	ENEC mark; class B
Marchio cURus (UL+CSA); classe A	cURus mark; class A
Tensione di isolamento 3750 VAC	Insulation voltage 3750 VAC
Frequenza nominale 50/60 Hz	Nominal frequency 50/60 Hz
Temperatura ambiente 40 °C	Ambient temperature 40 °C
Conforme alla direttiva RoHS	RoHS conform
Grado di protezione IP00	Degree of protection IP00
Rocchetto a doppia camera	Two chambers coilformer
Avvolgimenti in rame smaltato classe H	Class H enamelled copper wire coils
Vernice isolante	Finishing varnish
Test elettrici sul 100% della produzione	100% tested production



Su richiesta primario fino a 600V secondario fino a 600V

On request primary up to 600V secondary up to 600V

Iso 9001 Certified





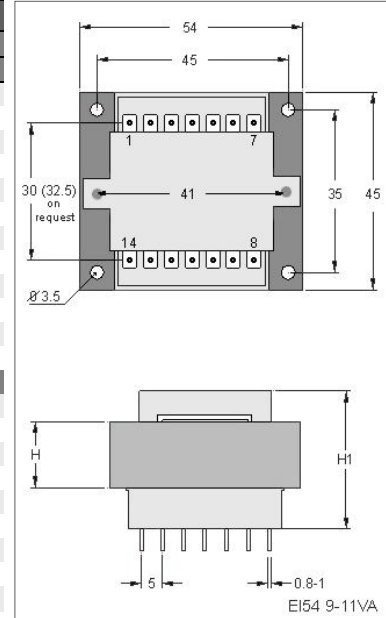
EI 54 9-11VA



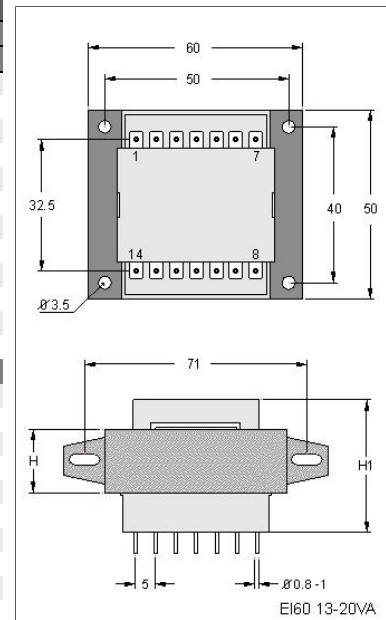
EI 60 13-20VA

Dimensioni fisiche in mm Physical dimension in mm

9VA EI54/18 H1=39mm-W. 325gr			10VA EI54/20 H1=41mm-W. 370gr			11VA EI54/23 H1=44mm-W. 420gr		
Pins	1-7	9-13	Pins	1-7	9-13	Pins	1-7	9-13
Code	Pri (V)	Sec(V)	Code	Pri (V)	Sec(V)	Code	Pri (V)	Sec(V)
42129700	230	6	42130000	230	6	42131000	230	6
42129710	230	9	42130010	230	9	42131010	230	9
42129720	230	12	42130020	230	12	42131020	230	12
42129730	230	15	42130030	230	15	42131030	230	15
42129740	230	18	42130040	230	18	42131040	230	18
42129750	230	24	42130050	230	24	42131050	230	24
On request	115	6	On request	115	6	On request	115	6
On request	115	9	On request	115	9	On request	115	9
On request	115	12	On request	115	12	On request	115	12
On request	115	15	On request	115	15	On request	115	15
On request	115	18	On request	115	18	On request	115	18
On request	115	24	On request	115	24	On request	115	24
Pins	1-7	8-9 13-14	Pins	1-7	8-9 13-14	Pins	1-7	8-9 13-14
42129800	230	2x6	42130500	230	2x6	42131500	230	2x6
42129810	230	2x9	42130510	230	2x9	42131510	230	2x9
42129820	230	2x12	42130520	230	2x12	42131520	230	2x12
42129830	230	2x15	42130530	230	2x15	42131530	230	2x15
42129840	230	2x18	42130540	230	2x18	42131540	230	2x18
42129850	230	2x21	42130550	230	2x21	42131550	230	2x21
On request	115	2x6	On request	115	2x6	On request	115	2x6
On request	115		On request	115		On request	115	
On request	115		On request	115		On request	115	
On request	115	2x21	On request	115	2x21	On request	115	2x21



13VA EI60/20 H1=42mm-W. 480gr			16VA EI60/25 H1=47mm-W. 560gr			20VA EI60/30 H1=52mm-W. 710gr		
Pins	1-7	9-13	Pins	1-7	9-13	Pins	1-7	9-13
Code	Pri (V)	Sec(V)	Code	Pri (V)	Sec(V)	Code	Pri (V)	Sec(V)
42132000	230	6	42136000	230	6	42140500	230	6
42132010	230	9	42136100	230	9	42140600	230	9
42132020	230	12	42136200	230	12	42140700	230	12
42132030	230	15	42136300	230	15	42140800	230	15
42132040	230	18	42136400	230	18	42140900	230	18
42132050	230	24	42136500	230	24	42141000	230	24
On request	115	6	On request	115	6	On request	115	6
On request	115	9	On request	115	9	On request	115	9
On request	115	12	On request	115	12	On request	115	12
On request	115	15	On request	115	15	On request	115	15
On request	115	18	On request	115	18	On request	115	18
On request	115	24	On request	115	24	On request	115	24
Pins	1-7	8-9 13-14	Pins	1-7	8-9 13-14	Pins	1-7	8-9 13-14
42132500	230	2x6	42137500	230	2x6	42141500	230	2x6
42133000	230	2x9	42138000	230	2x9	42142000	230	2x9
42133500	230	2x12	42138500	230	2x12	42142500	230	2x12
42134000	230	2x15	42139000	230	2x15	42143000	230	2x15
42134500	230	2x18	42139500	230	2x18	42143500	230	2x18
42135000	230	2x21	42139600	230	2x21	42144000	230	2x21
On request	115	2x6	On request	115	2x6	On request	115	2x6
On request	115		On request	115		On request	115	
On request	115		On request	115		On request	115	
On request	115	2x21	On request	115	2x21	On request	115	2x21



Dati tecnici	Technical data
Conformità alle norme CEI EN 61558 - RoHS	CEI EN 61558 approved - RoHS
Certificazione internazionale ENEC	ENEC international certification
Non protetto contro il corto circuito	Not protected against the shortcircuit
Tensione di isolamento 3750 VAC	Insulation voltage 3750 VAC
Frequenza nominale 50/60 Hz	Nominal frequency 50/60 Hz
Temperatura ambiente 40 °C	Ambient temperature 40 °C
Sistema di isolamento classe B	Class B insulation system
Grado di protezione IP00	Degree of protection IP00
Rocchetto a doppia camera	Two chambers coilformer
Avvolgimenti in rame smaltato classe H	Class H enamelled copper wire coils
Vernice isolante	Finishing varnish
Test elettrici sul 100% della produzione	100% tested production

Iso 9001 Certified





### FASTON VERSION

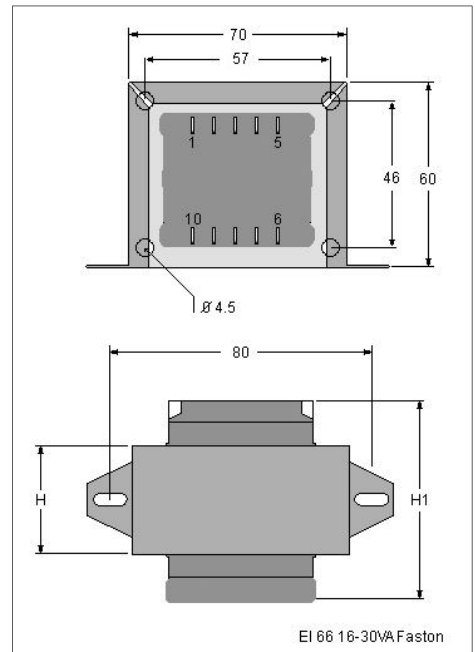
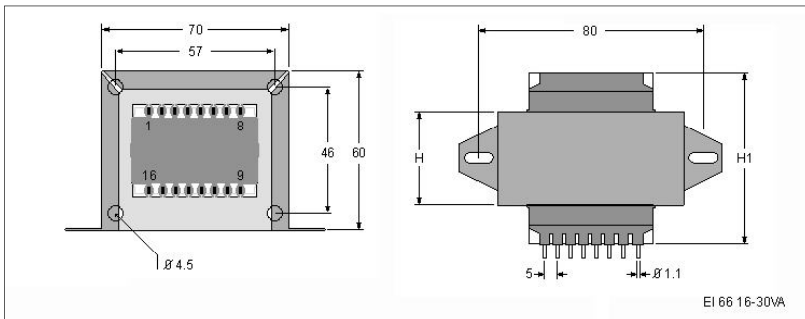
PRI (1-5) - SEC (7-9)  
 PRI (1-5) - 2xSEC (6-7-9-10)

Codice con 2 nel finale: xxxxxx2  
 Code with 2 in the final: xxxxxx2

16VA H1=56mm on request  
 20VA H1=63 mm  
 22VA H1=66 mm  
 26VA H1=71 mm  
 30VA H1=76 mm

Dimensioni fisiche in mm Physical dimension in mm

20VA EI 66/23 H1=52mm W. 623gr			22VA EI 66/25 H1=55mm W. 685gr			26VA EI 66/30 H1=60mm W. 920gr			30VA EI 66/35 H1=65mm W. 1.01Kg		
Pins	1-8	10-15	Pins	1-8	10-15	Pins	1-8	10-15	Pins	1-8	10-15
Code	Pri (V)	Sec(V)	Code	Pri (V)	Sec(V)	Code	Pri (V)	Sec(V)	Code	Pri (V)	Sec(V)
42144100	230	6	42144300	230	6	42144500	230	6	42144700	230	6
42144110	230	9	42144310	230	9	42144510	230	9	42144710	230	9
42144120	230	12	42144320	230	12	42144520	230	12	42144720	230	12
42144130	230	15	42144330	230	15	42144530	230	15	42144730	230	15
42144140	230	18	42144340	230	18	42144540	230	18	42144740	230	18
42144150	230	24	42144350	230	24	42144550	230	24	42144750	230	24
On request	115	6	On request	115	6	On request	115	6	On request	115	6
On request	115	9	On request	115	9	On request	115	9	On request	115	9
On request	115	12	On request	115	12	On request	115	12	On request	115	12
On request	115	15	On request	115	15	On request	115	15	On request	115	15
On request	115	18	On request	115	18	On request	115	18	On request	115	18
On request	115	24	On request	115	24	On request	115	24	On request	115	24
Pins	1-8	9-10 15-16	Pins	1-8	9-10 15-16	Pins	1-8	9-10 15-16	Pins	1-8	9-10 15-16
42144200	230	2x6	42144400	230	2x6	42144600	230	2x6	42144800	230	2x6
42144210	230	2x9	42144410	230	2x9	42144610	230	2x9	42144810	230	2x9
42144220	230	2x12	42144420	230	2x12	42144620	230	2x12	42144820	230	2x12
42144230	230	2x15	42144430	230	2x15	42144630	230	2x15	42144830	230	2x15
42144240	230	2x18	42144440	230	2x18	42144640	230	2x18	42144840	230	2x18
42144250	230	2x21	42144450	230	2x21	42144650	230	2x21	42144850	230	2x21
On request	115	2x6	On request	115	2x6	On request	115	2x6	On request	115	2x6
On request	115		On request	115		On request	115		On request	115	
On request	115		On request	115		On request	115		On request	115	
On request	115	2x21	On request	115	2x21	On request	115	2x21	On request	115	2x21



Dati tecnici	Technical data
Conformità alle norme CEI EN 61558 - RoHS	CEI EN 61558 approved - RoHS
Certificazione internazionale ENEC	ENEC international certification
Non protetto contro il corto circuito	Not protected against the shortcircuit
Tensione di isolamento 3750 VAC	Insulation voltage 3750 VAC
Frequenza nominale 50/60 Hz	Nominal frequency 50/60 Hz
Temperatura ambiente 40 °C	Ambient temperature 40 °C
Sistema di isolamento classe B	Class B insulation system
Grado di protezione IP00	Degree of protection IP00
Rocchetto a doppia camera	Two chambers coilformer
Avvolgimenti in rame smaltato classe H	Class H enamelled copper wire coils
Resina poliuretanic	Poliuretanic resin
Test elettrici sul 100% della produzione	100% tested production

Iso 9001 Certified





### FASTON VERSION

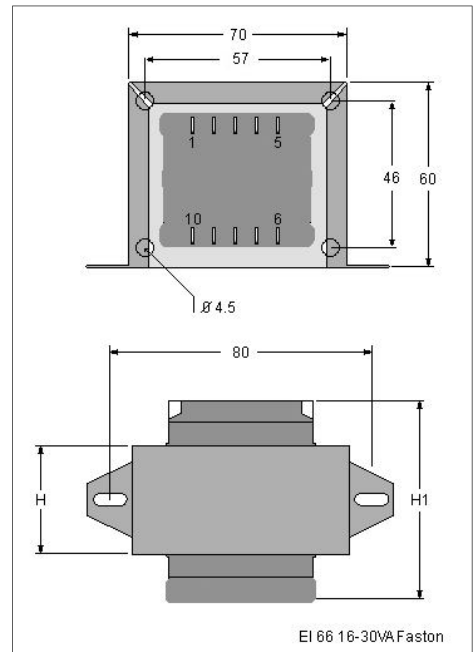
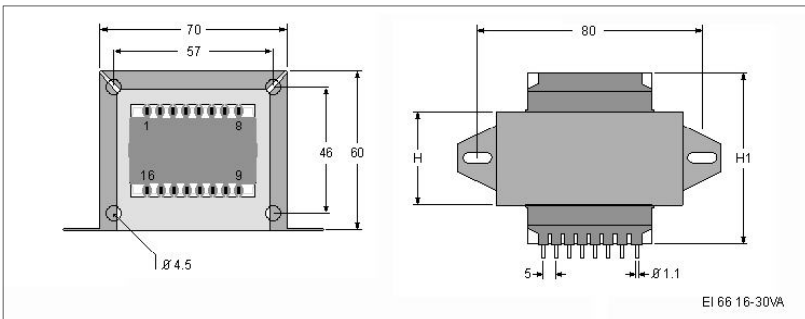
PRI (1-5) - SEC (7-9)  
PRI (1-5) - 2xSEC (6-7-9-10)

Codice con 3 nel finale: xxxxxx3  
Code with 3 in the final: xxxxxx3

16VA H1=56mm on request  
20VA H1=63 mm  
22VA H1=66 mm  
26VA H1=71 mm  
30VA H1=76 mm

Dimensioni fisiche in mm Physical dimension in mm

20VA EI 66/23 H1=52mm W. 623gr			22VA EI 66/25 H1=55mm W. 685gr			26VA EI 66/30 H1=60mm W. 920gr			30VA EI 66/35 H1=65mm W. 1.01Kg		
Pins	1-8	10-15	Pins	1-8	10-15	Pins	1-8	10-15	Pins	1-8	10-15
Code	Pri (V)	Sec(V)	Code	Pri (V)	Sec(V)	Code	Pri (V)	Sec(V)	Code	Pri (V)	Sec(V)
42144101	230	6	42144301	230	6	42144501	230	6	42144701	230	6
42144111	230	9	42144311	230	9	42144511	230	9	42144711	230	9
42144121	230	12	42144321	230	12	42144521	230	12	42144721	230	12
42144131	230	15	42144331	230	15	42144531	230	15	42144731	230	15
42144141	230	18	42144341	230	18	42144541	230	18	42144741	230	18
42144151	230	24	42144351	230	24	42144551	230	24	42144751	230	24
On request	115	6	On request	115	6	On request	115	6	On request	115	6
On request	115	9	On request	115	9	On request	115	9	On request	115	9
On request	115	12	On request	115	12	On request	115	12	On request	115	12
On request	115	15	On request	115	15	On request	115	15	On request	115	15
On request	115	18	On request	115	18	On request	115	18	On request	115	18
On request	115	24	On request	115	24	On request	115	24	On request	115	24
Pins	1-8	9-10 15-16	Pins	1-8	9-10 15-16	Pins	1-8	9-10 15-16	Pins	1-8	9-10 15-16
42144201	230	2x6	42144401	230	2x6	42144601	230	2x6	42144801	230	2x6
42144211	230	2x9	42144411	230	2x9	42144611	230	2x9	42144811	230	2x9
42144221	230	2x12	42144421	230	2x12	42144621	230	2x12	42144821	230	2x12
42144231	230	2x15	42144431	230	2x15	42144631	230	2x15	42144831	230	2x15
42144241	230	2x18	42144441	230	2x18	42144641	230	2x18	42144841	230	2x18
42144251	230	2x21	42144451	230	2x21	42144651	230	2x21	42144851	230	2x21
On request	115	2x6	On request	115	2x6	On request	115	2x6	On request	115	2x6
On request	115		On request	115		On request	115		On request	115	
On request	115		On request	115		On request	115		On request	115	
On request	115	2x21	On request	115	2x21	On request	115	2x21	On request	115	2x21



Su richiesta primario fino a 600V secondario fino a 600V

On request primary up to 600V secondary up to 600V

Dati tecnici	Technical data
Conformità norme EN 61558-UL 5085	EN 61558-UL5085 approved
Marchio ENEC; classe B	ENEC mark; class B
Marchio cURus (UL+CSA); classe A	cURus mark; class A
Tensione di isolamento 3750 VAC	Insulation voltage 3750 VAC
Frequenza nominale 50/60 Hz	Nominal frequency 50/60 Hz
Temperatura ambiente 40 °C	Ambient temperature 40 °C
Conforme alla direttiva RoHS	RoHS conform
Grado di protezione IP00	Degree of protection IP00
Rocchetto a doppia camera	Two chambers coilformer
Avvolgimenti in rame smaltato classe H	Class H enamelled copper wire coils
Vernice isolante	Finishing varnish
Test elettrici sul 100% della produzione	100% tested production

Iso 9001 Certified





### FASTON VERSION

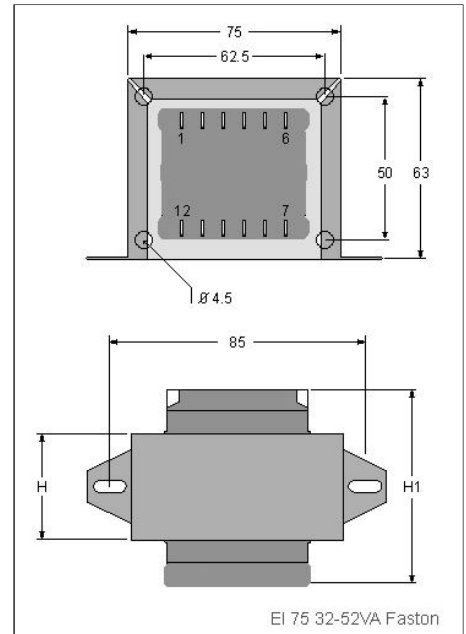
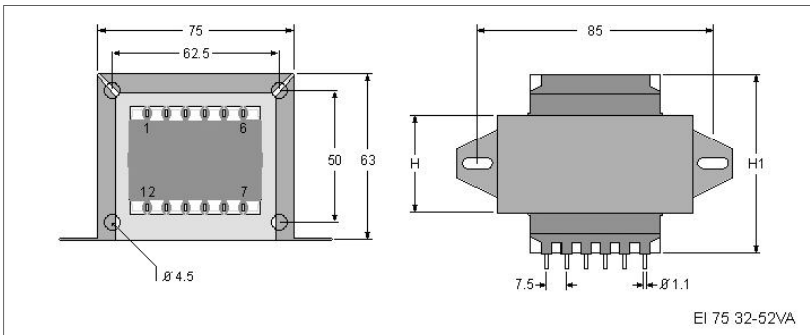
PRI (1-6) - SEC (8-11)  
 PRI (1-6) - 2xSEC (7-8-11-12)

Codice con 2 nel finale: xxxxxxx2  
 Code with 2 in the final: xxxxxxx2

32VA H1=67 mm  
 38VA H1=72 mm  
 45VA H1=77 mm  
 52VA H1=82 mm

Dimensioni fisiche in mm Physical dimension in mm

32VA EI 75/25 H1=52mm W. 0.94Kg			38VA EI 75/30 H1=57mm W. 1.1Kg			45VA EI 75/35 H1=62mm W. 1.25Kg			52VA EI 75/40 H1=67mm W. 1.48Kg		
Pins	1-6	8-11	Pins	1-6	8-11	Pins	1-6	8-11	Pins	1-6	8-11
Code	Pri (V)	Sec(V)	Code	Pri (V)	Sec(V)	Code	Pri (V)	Sec(V)	Code	Pri (V)	Sec(V)
42145500	230	6	42150500	230	6	42155500	230	6	42160000	230	6
42145600	230	9	42150600	230	9	42155600	230	9	42160010	230	9
42145700	230	12	42150700	230	12	42155700	230	12	42160020	230	12
42145800	230	15	42150800	230	15	42155800	230	15	42160030	230	15
42145900	230	18	42150900	230	18	42155900	230	18	42160040	230	18
42146000	230	24	42151000	230	24	42156000	230	24	42160050	230	24
On Request	115	6	On Request	115	6	On Request	115	6	On Request	115	6
On Request	115	9	On Request	115	9	On Request	115	9	On Request	115	9
On Request	115	12	On Request	115	12	On Request	115	12	On Request	115	12
On Request	115	15	On Request	115	15	On Request	115	15	On Request	115	15
On Request	115	18	On Request	115	18	On Request	115	18	On Request	115	18
On Request	115	24	On Request	115	24	On Request	115	24	On Request	115	24
Pins	1-6	7-8 11-12	Pins	1-6	7-8 11-12	Pins	1-6	7-8 11-12	Pins	1-6	7-8 11-12
42146500	230	2x6	42151500	230	2x6	42156500	230	2x6	42160100	230	2x6
42147000	230	2x9	42152000	230	2x9	42157000	230	2x9	42160110	230	2x9
42147500	230	2x12	42152500	230	2x12	42157500	230	2x12	42160120	230	2x12
42148000	230	2x15	42153000	230	2x15	42158000	230	2x15	42160130	230	2x15
42148500	230	2x18	42153500	230	2x18	42158500	230	2x18	42160140	230	2x18
42149000	230	2x21	42154000	230	2x21	42159000	230	2x21	42160150	230	2x21
On Request	115	2x6	On Request	115	2x6	On Request	115	2x6	On Request	115	2x6
On Request	115		On Request	115		On Request	115		On Request	115	
On Request	115		On Request	115		On Request	115		On Request	115	
On Request	115	2x21	On Request	115	2x21	On Request	115	2x21	On Request	115	2x21



Dati tecnici	Technical data
Conformità alle norme CEI EN 61558 - RoHS	CEI EN 61558 approved - RoHS
Certificazione internazionale ENEC	ENEC international certification
Non protetto contro il corto circuito	Not protected against the shortcircuit
Tensione di isolamento 3750 VAC	Insulation voltage 3750 VAC
Frequenza nominale 50/60 Hz	Nominal frequency 50/60 Hz
Temperatura ambiente 40 °C	Ambient temperature 40 °C
Sistema di isolamento classe B	Class B insulation system
Grado di protezione IP00	Degree of protection IP00
Rocchetto a doppia camera	Two chambers coilformer
Avvolgimenti in rame smaltato classe H	Class H enamelled copper wire coils
Vernice Isolante	Finishing varnish
Test elettrici sul 100% della produzione	100% tested production

Iso 9001 Certified





### FASTON VERSION

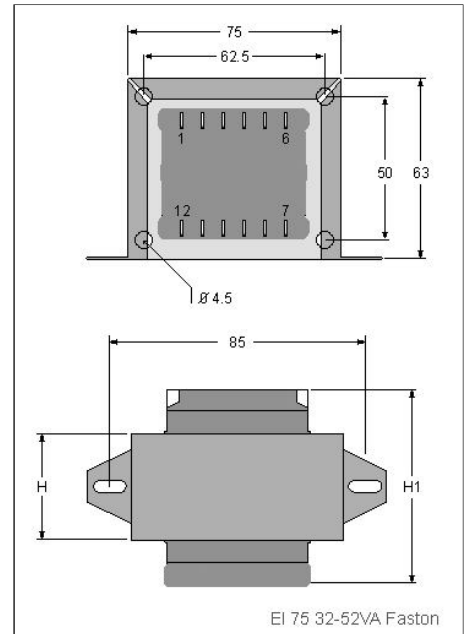
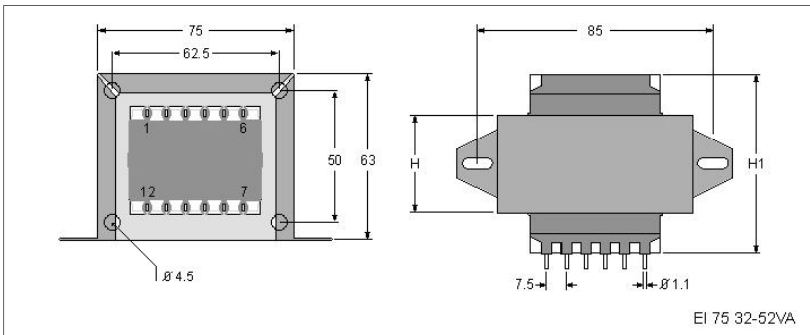
PRI (1-6) - SEC (8-11)  
 PRI (1-6) - 2xSEC (7-8-11-12)

Codice con 3 nel finale: xxxxxxx3  
 Code with 3 in the final: xxxxxxx3

32VA H1=67 mm  
 38VA H1=72 mm  
 45VA H1=77 mm  
 52VA H1=82 mm

Dimensioni fisiche in mm Physical dimension in mm

32VA EI 75/25 H1=52mm W. 0.94Kg			38VA EI 75/30 H1=57mm W. 1.1Kg			45VA EI 75/35 H1=62mm W. 1.25Kg			52VA EI 75/40 H1=67mm W. 1.48Kg		
Pins	1-6	8-11	Pins	1-6	8-11	Pins	1-6	8-11	Pins	1-6	8-11
Code	Pri (V)	Sec(V)	Code	Pri (V)	Sec(V)	Code	Pri (V)	Sec(V)	Code	Pri (V)	Sec(V)
42145501	230	6	42150501	230	6	42155501	230	6	42160001	230	6
42145601	230	9	42150601	230	9	42155601	230	9	42160011	230	9
42145701	230	12	42150701	230	12	42155701	230	12	42160021	230	12
42145801	230	15	42150801	230	15	42155801	230	15	42160031	230	15
42145901	230	18	42150901	230	18	42155901	230	18	42160041	230	18
42146001	230	24	42151001	230	24	42156001	230	24	42160051	230	24
On Request	115	6	On Request	115	6	On Request	115	6	On Request	115	6
On Request	115	9	On Request	115	9	On Request	115	9	On Request	115	9
On Request	115	12	On Request	115	12	On Request	115	12	On Request	115	12
On Request	115	15	On Request	115	15	On Request	115	15	On Request	115	15
On Request	115	18	On Request	115	18	On Request	115	18	On Request	115	18
On Request	115	24	On Request	115	24	On Request	115	24	On Request	115	24
Pins	1-6	7-8 11-12	Pins	1-6	7-8 11-12	Pins	1-6	7-8 11-12	Pins	1-6	7-8 11-12
42146501	230	2x6	42151501	230	2x6	42156501	230	2x6	42160101	230	2x6
42147001	230	2x9	42152001	230	2x9	42157001	230	2x9	42160111	230	2x9
42147501	230	2x12	42152501	230	2x12	42157501	230	2x12	42160121	230	2x12
42148001	230	2x15	42153001	230	2x15	42158001	230	2x15	42160131	230	2x15
42148501	230	2x18	42153501	230	2x18	42158501	230	2x18	42160141	230	2x18
42149001	230	2x21	42154001	230	2x21	42159001	230	2x21	42160151	230	2x21
On Request	115	2x6	On Request	115	2x6	On Request	115	2x6	On Request	115	2x6
On Request	115		On Request	115		On Request	115		On Request	115	
On Request	115		On Request	115		On Request	115		On Request	115	
On Request	115	2x21	On Request	115	2x21	On Request	115	2x21	On Request	115	2x21



Su richiesta primario fino a 600V secondario fino a 600V

On request primary up to 600V secondary up to 600V

Dati tecnici	Technical data
Conformità norme EN 61558-UL 5085	EN 61558-UL5085 approved
Marchio ENEC; classe B	ENEC mark; class B
Marchio cURus (UL+CSA); classe A	cURus mark; class A
Tensione di isolamento 3750 VAC	Insulation voltage 3750 VAC
Frequenza nominale 50/60 Hz	Nominal frequency 50/60 Hz
Temperatura ambiente 40 °C	Ambient temperature 40 °C
Conforme alla direttiva RoHS	RoHS conform
Grado di protezione IP00	Degree of protection IP00
Rocchetto a doppia camera	Two chambers coilformer
Avvolgimenti in rame smaltato classe H	Class H enamelled copper wire coils
Vernice isolante	Finishing varnish
Test elettrici sul 100% della produzione	100% tested production

Iso 9001 Certified

