



FASTON VERSION

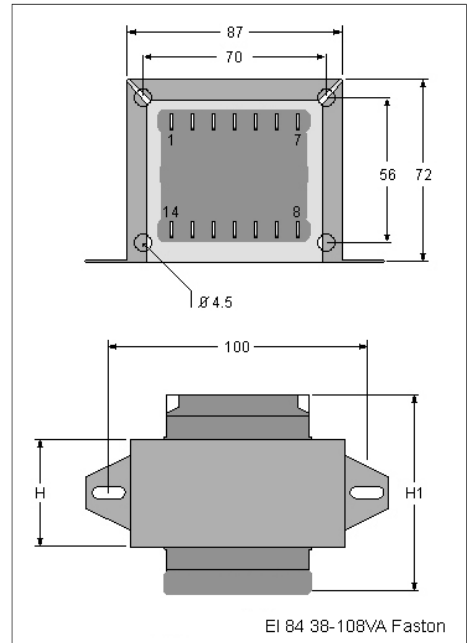
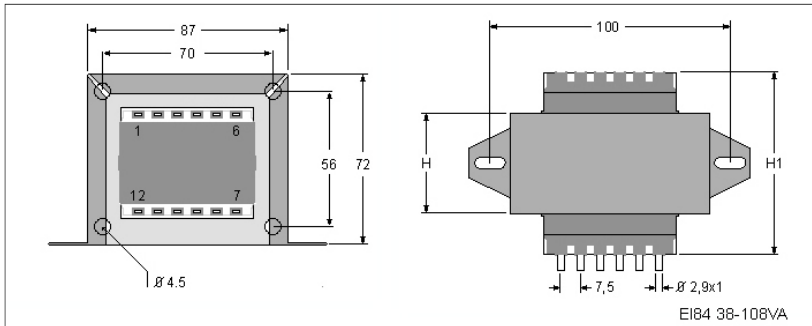
PRI (1-7) - SEC (9-13)
PRI (1-7) - 2xSEC (8-9-13-14)

Codice con 2 nel finale: xxxxxxx2
Code with 2 in the final: xxxxxxx2

38VA H1=75 mm 72VA H1=94 mm
50VA H1=82 mm 81VA H1=99 mm
55VA H1=84 mm 90VA H1=104 mm
63VA H1=89 mm 108VA H1=114 mm

Dimensioni fisiche in mm Physical dimension in mm

38VA EI 84/21 H1=59mm W. 1.1Kg			50VA EI 84/28 H1=66mm W. 1.33Kg			55VA EI 84/30 H1=68mm W. 1.43Kg			63VA EI 84/35 H1=73mm W. 1.63Kg		
Pins	1-6	8-11	Pins	1-6	8-11	Pins	1-6	8-11	Pins	1-6	8-11
Code	Pri (V)	Sec(V)	Code	Pri (V)	Sec(V)	Code	Pri (V)	Sec(V)	Code	Pri (V)	Sec(V)
On Request	230	6	42161000	230	6	42161500	230	6	42164500	230	6
On Request	230	9	42161010	230	9	42161510	230	9	42164510	230	9
On Request	230	12	42161020	230	12	42161520	230	12	42164520	230	12
On Request	230	15	42161030	230	15	42161530	230	15	42164530	230	15
On Request	230	18	42161040	230	18	42161540	230	18	42164540	230	18
On Request	230	24	42161050	230	24	42161550	230	24	42164550	230	24
On Request	115	6	On Request	115	6	On Request	115	6	On Request	115	6
On Request	115	9	On Request	115	9	On Request	115	9	On Request	115	9
On Request	115	12	On Request	115	12	On Request	115	12	On Request	115	12
On Request	115	15	On Request	115	15	On Request	115	15	On Request	115	15
On Request	115	18	On Request	115	18	On Request	115	18	On Request	115	18
On Request	115	24	On Request	115	24	On Request	115	24	On Request	115	24
Pins	1-6	7-8 11-12	Pins	1-6	7-8 11-12	Pins	1-6	7-8 11-12	Pins	1-6	7-8 11-12
On Request	230	2x6	42161100	230	2x6	42161900	230	2x6	42165000	230	2x6
On Request	230	2x9	42161110	230	2x9	42162000	230	2x9	42165010	230	2x9
On Request	230	2x12	42161120	230	2x12	42162500	230	2x12	42165020	230	2x12
On Request	230	2x15	42161130	230	2x15	42163000	230	2x15	42165030	230	2x15
On Request	230	2x18	42161140	230	2x18	42163500	230	2x18	42165040	230	2x18
On Request	230	2x21	42161150	230	2x21	42164000	230	2x21	42165050	230	2x21
On Request	115	2x6	On Request	115	2x6	On Request	115	2x6	On Request	115	2x6
On Request	115		On Request	115		On Request	115		On Request	115	
On Request	115		On Request	115		On Request	115		On Request	115	
On Request	115	2x21	On Request	115	2x21	On Request	115	2x21	On Request	115	2x21



Dati tecnici	Technical data
Conformità alle norme CEI EN 61558 - RoHS	CEI EN 61558 approved - RoHS
Certificazione internazionale ENEC	ENEC international certification
Non protetto contro il corto circuito	Not protected against the shortcircuit
Tensione di isolamento 3750 VAC	Insulation voltage 3750 VAC
Frequenza nominale 50/60 Hz	Nominal frequency 50/60 Hz
Temperatura ambiente 40 °C	Ambient temperature 40 °C
Sistema di isolamento classe B	Class B insulation system
Grado di protezione IP00	Degree of protection IP00
Rocchetto a doppia camera	Two chambers coilformer
Avvolgimenti in rame smaltato classe H	Class H enamelled copper wire coils
Vernice Isolante	Finishing varnish
Test elettrici sul 100% della produzione	100% tested production

Iso 9001 Certified





FASTON VERSION

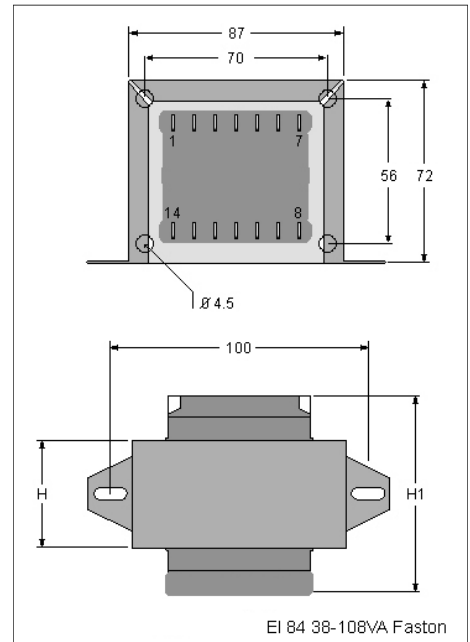
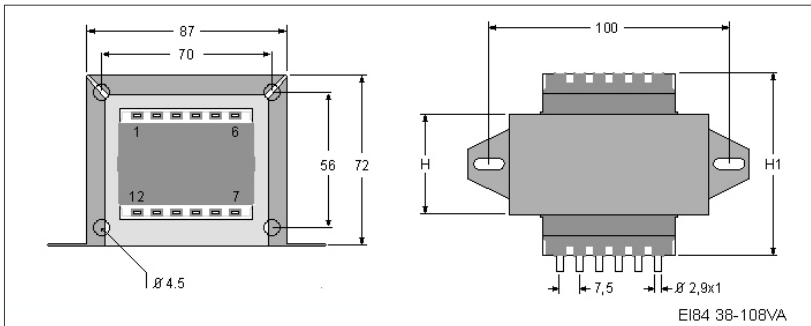
PRI (1-7) - SEC (9-13)
 PRI (1-7) - 2xSEC (8-9-13-14)

Codice con 2 nel finale: xxxxxxx2
 Code with 2 in the final: xxxxxxx2

38VA H1=75 mm 72VA H1=94 mm
 50VA H1=82 mm 81VA H1=99 mm
 55VA H1=84 mm 90VA H1=104 mm
 63VA H1=89 mm 108VA H1=114 mm

Dimensioni fisiche in mm Physical dimension in mm

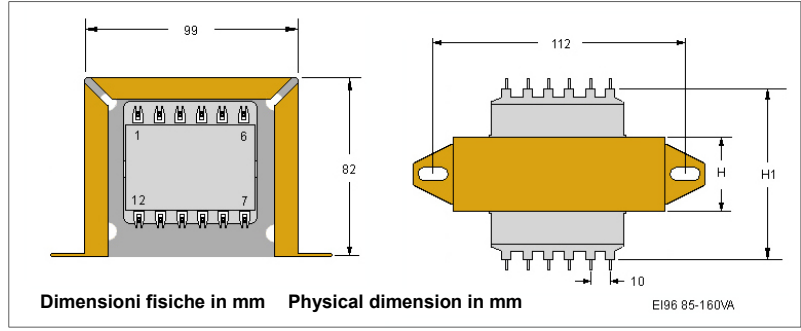
72VA EI 84/40 H1=78mm W. 1.73Kg			81VA EI 84/45 H1=83mm W. 1.95Kg			90VA EI 84/50 H1=88mm W. 2.16Kg			108VA EI 84/60 H1=98mm W. 2.58Kg		
Pins	1-6	8-11	Pins	1-6	8-11	Pins	1-6	8-11	Pins	1-6	8-11
Code	Pri (V)	Sec(V)	Code	Pri (V)	Sec(V)	Code	Pri (V)	Sec(V)	Code	Pri (V)	Sec(V)
42165500	230	6	42169500	230	6	42170000	230	6	On Request	230	6
42165510	230	9	42169510	230	9	42170010	230	9	On Request	230	9
42165520	230	12	42169520	230	12	42170020	230	12	On Request	230	12
42165530	230	15	42169530	230	15	42170030	230	15	On Request	230	15
42165540	230	18	42169540	230	18	42170040	230	18	On Request	230	18
42165550	230	24	42169550	230	24	42170050	230	24	On Request	230	24
On Request	115	6	On Request	115	6	On Request	115	6	On Request	115	6
On Request	115	9	On Request	115	9	On Request	115	9	On Request	115	9
On Request	115	12	On Request	115	12	On Request	115	12	On Request	115	12
On Request	115	15	On Request	115	15	On Request	115	15	On Request	115	15
On Request	115	18	On Request	115	18	On Request	115	18	On Request	115	18
On Request	115	24	On Request	115	24	On Request	115	24	On Request	115	24
Pins	1-6	7-8 11-12	Pins	1-6	7-8 11-12	Pins	1-6	7-8 11-12	Pins	1-6	7-8 11-12
42166500	230	2x6	42169600	230	2x6	42170100	230	2x6	On Request	230	2x6
42167000	230	2x9	42169610	230	2x9	42170110	230	2x9	On Request	230	2x9
42167500	230	2x12	42169620	230	2x12	42170120	230	2x12	On Request	230	2x12
42168000	230	2x15	42169630	230	2x15	42170130	230	2x15	On Request	230	2x15
42168500	230	2x18	42169640	230	2x18	42170140	230	2x18	On Request	230	2x18
42169000	230	2x21	42169650	230	2x21	42170150	230	2x21	On Request	230	2x21
On Request	115	2x6	On Request	115	2x6	On Request	115	2x6	On Request	115	2x6
On Request	115		On Request	115		On Request	115		On Request	115	
On Request	115		On Request	115		On Request	115		On Request	115	
On Request	115	2x21	On Request	115	2x21	On Request	115	2x21	On Request	115	2x21



Dati tecnici	Technical data
Conformità alle norme CEI EN 61558 - RoHS	CEI EN 61558 approved - RoHS
Certificazione internazionale ENEC	ENEC international certification
Non protetto contro il corto circuito	Not protected against the shortcircuit
Tensione di isolamento 3750 VAC	Insulation voltage 3750 VAC
Frequenza nominale 50/60 Hz	Nominal frequency 50/60 Hz
Temperatura ambiente 40 °C	Ambient temperature 40 °C
Sistema di isolamento classe B	Class B insulation system
Grado di protezione IP00	Degree of protection IP00
Rocchetto a doppia camera	Two chambers coilformer
Avvolgimenti in rame smaltato classe H	Class H enamelled copper wire coils
Vernice Isolante	Finishing varnish
Test elettrici sul 100% della produzione	100% tested production

Iso 9001 Certified



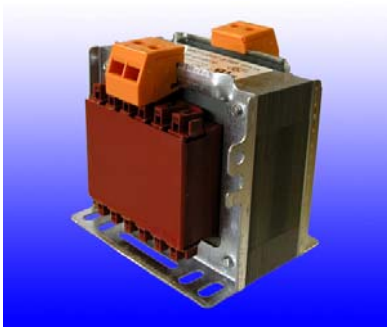


85VA EI 96/32 H1=74mm W. 2Kg			94VA EI 96/35 H1=77mm W. 2.25Kg			102VA EI 96/38 H1=80mm W. 2.45Kg			108VA EI 96/40 H1=82mm W. 2.58Kg		
Pins	1-6	8-11	Pins	1-6	8-11	Pins	1-6	8-11	Pins	1-6	8-11
Code	Pri (V)	Sec(V)	Code	Pri (V)	Sec(V)	Code	Pri (V)	Sec(V)	Code	Pri (V)	Sec(V)
42170900	230	6	42171200	230	6	42171500	230	6	42171700	230	6
42170910	230	9	42171210	230	9	42171510	230	9	42171710	230	9
42170920	230	12	42171220	230	12	42171520	230	12	42171720	230	12
42170930	230	15	42171230	230	15	42171530	230	15	42171730	230	15
42170940	230	18	42171240	230	18	42171540	230	18	42171740	230	18
42170950	230	24	42171250	230	24	42171550	230	24	42171750	230	24
On Request	115	6	On Request	115	6	On Request	115	6	On Request	115	6
On Request	115	9	On Request	115	9	On Request	115	9	On Request	115	9
On Request	115	12	On Request	115	12	On Request	115	12	On Request	115	12
On Request	115	15	On Request	115	15	On Request	115	15	On Request	115	15
On Request	115	18	On Request	115	18	On Request	115	18	On Request	115	18
On Request	115	24	On Request	115	24	On Request	115	24	On Request	115	24
Pins	1-6	7-8 11-12	Pins	1-6	7-8 11-12	Pins	1-6	7-8 11-12	Pins	1-6	7-8 11-12
42171000	230	2x6	42171300	230	2x6	42171600	230	2x6	42171800	230	2x6
42171010	230	2x9	42171310	230	2x9	42171610	230	2x9	42171900	230	2x9
42171020	230	2x12	42171320	230	2x12	42171620	230	2x12	42172000	230	2x12
42171030	230	2x15	42171330	230	2x15	42171630	230	2x15	42172500	230	2x15
42171040	230	2x18	42171340	230	2x18	42171640	230	2x18	42173000	230	2x18
42171050	230	2x21	42171350	230	2x21	42171650	230	2x21	42173500	230	2x21
On Request	115	2x6	On Request	115	2x6	On Request	115	2x6	On Request	115	2x6
On Request	115		On Request	115		On Request	115		On Request	115	
On Request	115		On Request	115		On Request	115		On Request	115	
On Request	115	2x21	On Request	115	2x21	On Request	115	2x21	On Request	115	2x21
120VA EI 96/45 H1=87mm W. 2.70Kg			135VA EI 96/50 H1=92mm W. 2.90Kg			147VA EI 96/55 H1=97mm W. 3.06Kg			160VA EI 96/60 H1=102mm W. 3.4Kg		
Pins	1-6	8-11	Pins	1-6	8-11	Pins	1-6	8-11	Pins	1-6	8-11
Code	Pri (V)	Sec(V)	Code	Pri (V)	Sec(V)	Code	Pri (V)	Sec(V)	Code	Pri (V)	Sec(V)
42174000	230	6	42175000	230	6	42179000	230	6	42179500	230	6
42174010	230	9	42175100	230	9	42179010	230	9	42179510	230	9
42174020	230	12	42175200	230	12	42179020	230	12	42179520	230	12
42174030	230	15	42175300	230	15	42179030	230	15	42179530	230	15
42174040	230	18	42175400	230	18	42179040	230	18	42179540	230	18
42174050	230	24	42175500	230	24	42179050	230	24	42179550	230	24
On Request	115	6	On Request	115	6	On Request	115	6	On Request	115	6
On Request	115	9	On Request	115	9	On Request	115	9	On Request	115	9
On Request	115	12	On Request	115	12	On Request	115	12	On Request	115	12
On Request	115	15	On Request	115	15	On Request	115	15	On Request	115	15
On Request	115	18	On Request	115	18	On Request	115	18	On Request	115	18
On Request	115	24	On Request	115	24	On Request	115	24	On Request	115	24
Pins	1-6	7-8 11-12	Pins	1-6	7-8 11-12	Pins	1-6	7-8 11-12	Pins	1-6	7-8 11-12
42174500	230	2x6	42176000	230	2x6	42179100	230	2x6	42179600	230	2x6
42174510	230	2x9	42176500	230	2x9	42179110	230	2x9	42179610	230	2x9
42174520	230	2x12	42177000	230	2x12	42179120	230	2x12	42179620	230	2x12
42174530	230	2x15	42177500	230	2x15	42179130	230	2x15	42179630	230	2x15
42174540	230	2x18	42178000	230	2x18	42179140	230	2x18	42179640	230	2x18
42174550	230	2x21	42178500	230	2x21	42179150	230	2x21	42179650	230	2x21
On Request	115	2x6	On Request	115	2x6	On Request	115	2x6	On Request	115	2x6
On Request	115		On Request	115		On Request	115		On Request	115	
On Request	115		On Request	115		On Request	115		On Request	115	
On Request	115	2x21	On Request	115	2x21	On Request	115	2x21	On Request	115	2x21

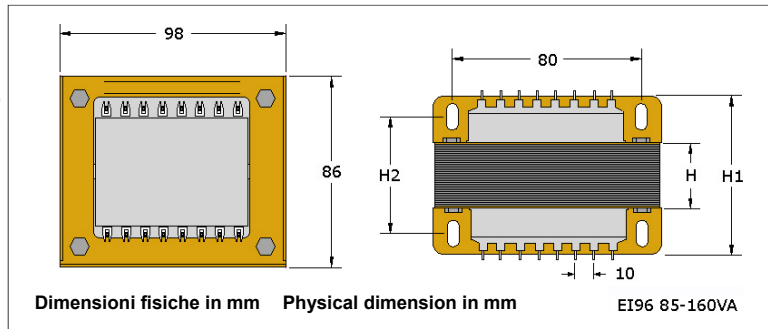
Dati tecnici	Technical data
Conformità alle norme CEI EN 61558 - RoHS	CEI EN 61558 approved - RoHS
Certificazione internazionale ENEC	ENEC international certification
Non protetto contro il corto circuito	Not protected against the shortcircuit
Tensione di isolamento 3750 VAC	Insulation voltage 3750 VAC
Frequenza nominale 50/60 Hz	Nominal frequency 50/60 Hz
Temperatura ambiente 40 °C	Ambient temperature 40 °C
Sistema di isolamento classe B	Class B insulation system
Grado di protezione IP00	Degree of protection IP00
Rocchetto a doppia camera	Two chambers coilformer
Avvolgimenti in rame smaltato classe H	Class H enamelled copper wire coils
Vernice Isolante	Finishing varnish
Test elettrici sul 100% della produzione	100% tested production

Iso 9001 Certified





85VA H2= 55
 94VA H2= 58
 102VA H2= 61
 108VA H2= 63
 120VA H2= 68
 135VA H2= 73
 147VA H2= 78
 160VA H2= 83



85VA EI 96/32 H1=75mm W. 2Kg			94VA EI 96/35 H1=78mm W. 2.25Kg			102VA EI 96/38 H1=81mm W. 2.45Kg			108VA EI 96/40 H1=83mm W. 2.58Kg		
Pins	1-6	8-11	Pins	1-6	8-11	Pins	1-6	8-11	Pins	1-6	8-11
Code	Pri (V)	Sec(V)	Code	Pri (V)	Sec(V)	Code	Pri (V)	Sec(V)	Code	Pri (V)	Sec(V)
42170901	230	6	42171201	230	6	42171501	230	6	42171701	230	6
42170911	230	9	42171211	230	9	42171511	230	9	42171711	230	9
42170921	230	12	42171221	230	12	42171521	230	12	42171721	230	12
42170931	230	15	42171231	230	15	42171531	230	15	42171731	230	15
42170941	230	18	42171241	230	18	42171541	230	18	42171741	230	18
42170951	230	24	42171251	230	24	42171551	230	24	42171751	230	24
On Request	115	6	On Request	115	6	On Request	115	6	On Request	115	6
On Request	115	9	On Request	115	9	On Request	115	9	On Request	115	9
On Request	115	12	On Request	115	12	On Request	115	12	On Request	115	12
On Request	115	15	On Request	115	15	On Request	115	15	On Request	115	15
On Request	115	18	On Request	115	18	On Request	115	18	On Request	115	18
On Request	115	24	On Request	115	24	On Request	115	24	On Request	115	24
Pins	1-6	7-8 11-12	Pins	1-6	7-8 11-12	Pins	1-6	7-8 11-12	Pins	1-6	7-8 11-12
42171001	230	2x6	42171301	230	2x6	42171601	230	2x6	42171801	230	2x6
42171011	230	2x9	42171311	230	2x9	42171611	230	2x9	42171901	230	2x9
42171021	230	2x12	42171321	230	2x12	42171621	230	2x12	42172001	230	2x12
42171031	230	2x15	42171331	230	2x15	42171631	230	2x15	42172501	230	2x15
42171041	230	2x18	42171341	230	2x18	42171641	230	2x18	42173001	230	2x18
42171051	230	2x21	42171351	230	2x21	42171651	230	2x21	42173501	230	2x21
On Request	115	2x6	On Request	115	2x6	On Request	115	2x6	On Request	115	2x6
On Request	115		On Request	115		On Request	115		On Request	115	
On Request	115		On Request	115		On Request	115		On Request	115	
On Request	115	2x21	On Request	115	2x21	On Request	115	2x21	On Request	115	2x21

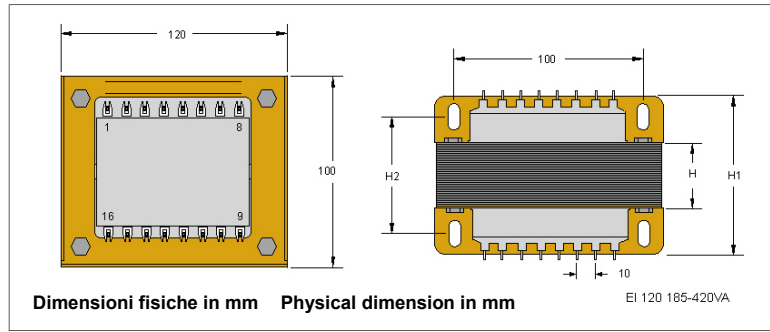
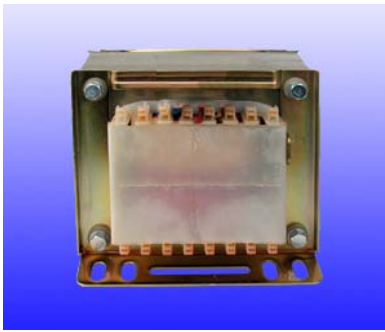
120VA EI 96/45 H1=88mm W. 2.70Kg			135VA EI 96/50 H1=93mm W. 2.90Kg			147VA EI 96/55 H1=98mm W. 3.06Kg			160VA EI 96/60 H1=103mm W. 3.4Kg		
Pins	1-6	8-11	Pins	1-6	8-11	Pins	1-6	8-11	Pins	1-6	8-11
Code	Pri (V)	Sec(V)	Code	Pri (V)	Sec(V)	Code	Pri (V)	Sec(V)	Code	Pri (V)	Sec(V)
42174001	230	6	42175001	230	6	42179001	230	6	42179501	230	6
42174011	230	9	42175101	230	9	42179011	230	9	42179511	230	9
42174021	230	12	42175201	230	12	42179021	230	12	42179521	230	12
42174031	230	15	42175301	230	15	42179031	230	15	42179531	230	15
42174041	230	18	42175401	230	18	42179041	230	18	42179541	230	18
42174051	230	24	42175501	230	24	42179051	230	24	42179551	230	24
On Request	115	6	On Request	115	6	On Request	115	6	On Request	115	6
On Request	115	9	On Request	115	9	On Request	115	9	On Request	115	9
On Request	115	12	On Request	115	12	On Request	115	12	On Request	115	12
On Request	115	15	On Request	115	15	On Request	115	15	On Request	115	15
On Request	115	18	On Request	115	18	On Request	115	18	On Request	115	18
On Request	115	24	On Request	115	24	On Request	115	24	On Request	115	24
Pins	1-6	7-8 11-12	Pins	1-6	7-8 11-12	Pins	1-6	7-8 11-12	Pins	1-6	7-8 11-12
42174501	230	2x6	42176001	230	2x6	42179101	230	2x6	42179601	230	2x6
42174511	230	2x9	42176501	230	2x9	42179111	230	2x9	42179611	230	2x9
42174521	230	2x12	42177001	230	2x12	42179121	230	2x12	42179621	230	2x12
42174531	230	2x15	42177501	230	2x15	42179131	230	2x15	42179631	230	2x15
42174541	230	2x18	42178001	230	2x18	42179141	230	2x18	42179641	230	2x18
42174551	230	2x21	42178501	230	2x21	42179151	230	2x21	42179651	230	2x21
On Request	115	2x6	On Request	115	2x6	On Request	115	2x6	On Request	115	2x6
On Request	115		On Request	115		On Request	115		On Request	115	
On Request	115		On Request	115		On Request	115		On Request	115	
On Request	115	2x21	On Request	115	2x21	On Request	115	2x21	On Request	115	2x21

Dati tecnici	Technical data
Conformità norme EN 61558-UL 5085	EN 61558-UL5085 approved
Marchio ENEC; classe B	ENEC mark; class B
Marchio cURus (UL+CSA); classe A	cURus mark; class A
Tensione di isolamento 3750 VAC	Insulation voltage 3750 VAC
Frequenza nominale 50/60 Hz	Nominal frequency 50/60 Hz
Temperatura ambiente 40 °C	Ambient temperature 40 °C
Conforme alla direttiva RoHS	RoHS conform
Grado di protezione IP00	Degree of protection IP00
Rocchetto a doppia camera	Two chambers coilformer
Avvolgimenti in rame smaltato classe H	Class H enamelled copper wire coils
Vernice isolante	Finishing varnish
Test elettrici sul 100% della produzione	100% tested production



Su richiesta primario fino a 600V secondario fino a 600V
 On request primary up to 600V secondary up to 600V





185VA EI120/35 H1=85mm W. 3.6Kg				210VA EI120/40 H1=90mm W. 4.0Kg				240VA EI120/45 H1=95mm W. 4.3Kg				265VA EI120/50 H1=100mm W. 4.8Kg			
Pins	1-8	10-15		Pins	1-8	10-15		Pins	1-8	10-15		Pins	1-8	10-15	
Code	Pri (V)	Sec(V)		Code	Pri (V)	Sec(V)		Code	Pri (V)	Sec(V)		Code	Pri (V)	Sec(V)	
42180000	230	6		42187010	230	6		42189000	230	6		42193100	230	6	
42180100	230	9		42187100	230	9		42189100	230	9		42193110	230	9	
42180200	230	12		42187200	230	12		42189200	230	12		42193120	230	12	
42180300	230	15		42187300	230	15		42189300	230	15		42193130	230	15	
42180400	230	18		42187400	230	18		42189400	230	18		42193140	230	18	
42180500	230	24		42187500	230	24		42189500	230	24		42193150	230	24	
On Request	115	6		On Request	115	6		On Request	115	6		On Request	115	6	
On Request	115	9		On Request	115	9		On Request	115	9		On Request	115	9	
On Request	115	12		On Request	115	12		On Request	115	12		On Request	115	12	
On Request	115	15		On Request	115	15		On Request	115	15		On Request	115	15	
On Request	115	18		On Request	115	18		On Request	115	18		On Request	115	18	
On Request	115	24		On Request	115	24		On Request	115	24		On Request	115	24	
Pins	1-8	9-10	15-16	Pins	1-8	9-10	15-16	Pins	1-8	9-10	15-16	Pins	1-8	9-10	15-16
42181000	230	2x6		42185500	230	2x6		42190500	230	2x6		42193500	230	2x6	
42181500	230	2x9		42186000	230	2x9		42191000	230	2x9		42193510	230	2x9	
42182000	230	2x12		42186500	230	2x12		42191500	230	2x12		42193520	230	2x12	
42182500	230	2x15		42187000	230	2x15		42192000	230	2x15		42193530	230	2x15	
42183000	230	2x18		42187510	230	2x18		42192500	230	2x18		42193540	230	2x18	
42183500	230	2x21		42188000	230	2x21		42193000	230	2x21		42193550	230	2x21	
On Request	115	2x6		On Request	115	2x6		On Request	115	2x6		On Request	115	2x6	
On Request	115			On Request	115			On Request	115			On Request	115		
On Request	115			On Request	115			On Request	115			On Request	115		
On Request	115	2x21		On Request	115	2x21		On Request	115	2x21		On Request	115	2x21	

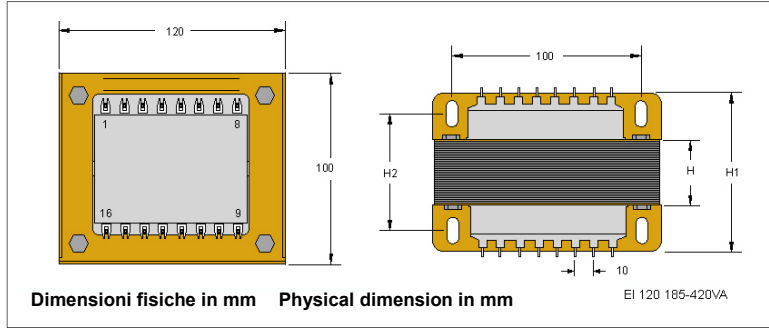
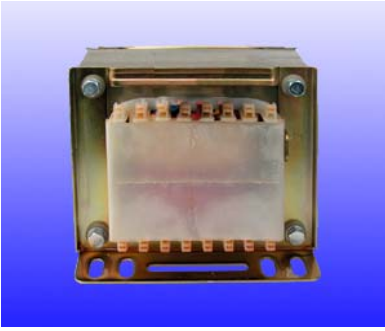
290VA EI120/55 H1=105mm W. 5.2Kg				315VA EI120/60 H1=110mm W. 5.7Kg				340VA EI120/65 H1=115mm W. 6.0Kg				370VA EI120/70 H1=120mm W. 6.4Kg			
Pins	1-8	10-15		Pins	1-8	10-15		Pins	1-8	10-15		Pins	1-8	10-15	
Code	Pri (V)	Sec(V)		Code	Pri (V)	Sec(V)		Code	Pri (V)	Sec(V)		Code	Pri (V)	Sec(V)	
42194000	230	6		42195000	230	6		42196000	230	6		42198100	230	6	
42194010	230	9		42195010	230	9		42196010	230	9		42198110	230	9	
42194020	230	12		42195020	230	12		42196020	230	12		42198120	230	12	
42194030	230	15		42195030	230	15		42196030	230	15		42198130	230	15	
42194040	230	18		42195040	230	18		42196040	230	18		42198140	230	18	
42194050	230	24		42195050	230	24		42196050	230	24		42198150	230	24	
On Request	115	6		On Request	115	6		On Request	115	6		On Request	115	6	
On Request	115	9		On Request	115	9		On Request	115	9		On Request	115	9	
On Request	115	12		On Request	115	12		On Request	115	12		On Request	115	12	
On Request	115	15		On Request	115	15		On Request	115	15		On Request	115	15	
On Request	115	18		On Request	115	18		On Request	115	18		On Request	115	18	
On Request	115	24		On Request	115	24		On Request	115	24		On Request	115	24	
Pins	1-8	9-10	15-16	Pins	1-8	9-10	15-16	Pins	1-8	9-10	15-16	Pins	1-8	9-10	15-16
42194500	230	2x6		42195500	230	2x6		42196300	230	2x6		42198200	230	2x6	
42194510	230	2x9		42195510	230	2x9		42196400	230	2x9		42198210	230	2x9	
42194520	230	2x12		42195520	230	2x12		42196500	230	2x12		42198220	230	2x12	
42194530	230	2x15		42195530	230	2x15		42197000	230	2x15		42198230	230	2x15	
42194540	230	2x18		42195540	230	2x18		42197500	230	2x18		42198240	230	2x18	
42194550	230	2x21		42195550	230	2x21		42198000	230	2x21		42198250	230	2x21	
On Request	115	2x6		On Request	115	2x6		On Request	115	2x6		On Request	115	2x6	
On Request	115			On Request	115			On Request	115			On Request	115		
On Request	115			On Request	115			On Request	115			On Request	115		
On Request	115	2x21		On Request	115	2x21		On Request	115	2x21		On Request	115	2x21	

Dati tecnici	Technical data
Conformità alle norme CEI EN 61558 - RoHS	CEI EN 61558 approved - RoHS
Certificazione internazionale ENEC	ENEC international certification
Non protetto contro il corto circuito	Not protected against the shortcircuit
Tensione di isolamento 3750 VAC	Insulation voltage 3750 VAC
Frequenza nominale 50/60 Hz	Nominal frequency 50/60 Hz
Temperatura ambiente 40 °C	Ambient temperature 40 °C
Sistema di isolamento classe B	Class B insulation system
Grado di protezione IP00	Degree of protection IP00
Rocchetto a doppia camera	Two chambers coilformer
Avvolgimenti in rame smaltato classe H	Class H enamelled copper wire coils
Vernice Isolante	Finishing varnish
Test elettrici sul 100% della produzione	100% tested production

- 185VA H2= 65 mm
- 210VA H2= 70 mm
- 240VA H2= 75 mm
- 265VA H2= 80 mm
- 290VA H2= 85 mm
- 315VA H2= 90 mm
- 340VA H2= 95 mm
- 370VA H2=100 mm
- 390VA H2=105 mm
- 420VA H2=110 mm

Iso 9001 Certified





390VA EI120/75 H1=125mm W. 6.9Kg

Pins	1-8	10-15	
Code	Pri (V)	Sec(V)	
42198500	230	6	
42198510	230	9	
42198520	230	12	
42198530	230	15	
42198540	230	18	
42198550	230	24	
On Request	115	6	
On Request	115	9	
On Request	115	12	
On Request	115	15	
On Request	115	18	
On Request	115	24	
Pins	1-8	9-10	15-16
Code	Pri (V)	Sec(V)	Sec(V)
42198600	230	2x6	
42198610	230	2x9	
42198620	230	2x12	
42198630	230	2x15	
42198640	230	2x18	
42198650	230	2x21	
On Request	115	2x6	
On Request	115		
On Request	115		
On Request	115	2x21	

420VA EI120/80 H1=130mm W. 7.0Kg

Pins	1-8	10-15	
Code	Pri (V)	Sec(V)	
42199000	230	6	
42199010	230	9	
42199020	230	12	
42199030	230	15	
42199040	230	18	
42199050	230	24	
On Request	115	6	
On Request	115	9	
On Request	115	12	
On Request	115	15	
On Request	115	18	
On Request	115	24	
Pins	1-8	9-10	15-16
Code	Pri (V)	Sec(V)	Sec(V)
42199500	230	2x6	
42199510	230	2x9	
42199520	230	2x12	
42199530	230	2x15	
42199540	230	2x18	
42199550	230	2x21	
On Request	115	2x6	
On Request	115		
On Request	115		
On Request	115	2x21	

Dati tecnici	Technical data
Conformità alle norme CEI EN 61558 - RoHS	CEI EN 61558 approved - RoHS
Certificazione internazionale ENEC	ENEC international certification
Non protetto contro il corto circuito	Not protected against the shortcircuit
Tensione di isolamento 3750 VAC	Insulation voltage 3750 VAC
Frequenza nominale 50/60 Hz	Nominal frequency 50/60 Hz
Temperatura ambiente 40 °C	Ambient temperature 40 °C
Sistema di isolamento classe B	Class B insulation system
Grado di protezione IP00	Degree of protection IP00
Rocchetto a doppia camera	Two chambers coilformer
Avvolgimenti in rame smaltato classe H	Class H enamelled copper wire coils
Vernice Isolante	Finishing varnish
Test elettrici sul 100% della produzione	100% tested production

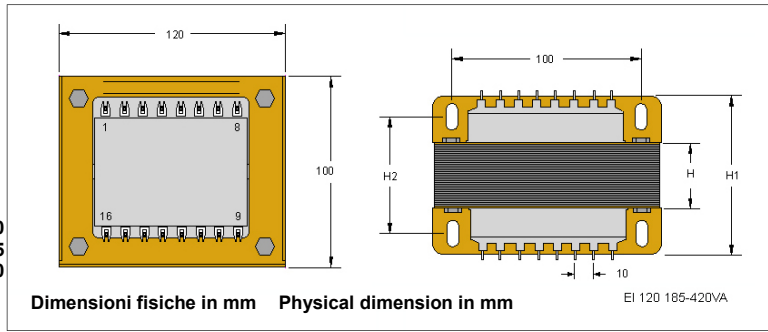
- 185VA H2= 65 mm
- 210VA H2= 70 mm
- 240VA H2= 75 mm
- 265VA H2= 80 mm
- 290VA H2= 85 mm
- 315VA H2= 90 mm
- 340VA H2= 95 mm
- 370VA H2=100 mm
- 390VA H2=105 mm
- 420VA H2=110 mm

Iso 9001 Certified





185VA H2= 65
 210VA H2= 70
 240VA H2= 75
 265VA H2= 80
 290VA H2= 85
 315VA H2= 90
 340VA H2= 95
 370VA H2=100
 390VA H2=105
 420VA H2=110



185VA EI120/35 H1=85mm W. 3.6Kg				210VA EI120/40 H1=90mm W. 4.0Kg				240VA EI120/45 H1=95mm W. 4.3Kg				265VA EI120/50 H1=100mm W. 4.8Kg			
Pins	1-8	10-15		Pins	1-8	10-15		Pins	1-8	10-15		Pins	1-8	10-15	
Code	Pri (V)	Sec(V)		Code	Pri (V)	Sec(V)		Code	Pri (V)	Sec(V)		Code	Pri (V)	Sec(V)	
42180001	230	6		42187011	230	6		42189001	230	6		42193101	230	6	
42180101	230	9		42187101	230	9		42189101	230	9		42193111	230	9	
42180201	230	12		42187201	230	12		42189201	230	12		42193121	230	12	
42180301	230	15		42187301	230	15		42189301	230	15		42193131	230	15	
42180401	230	18		42187401	230	18		42189401	230	18		42193141	230	18	
42180501	230	24		42187501	230	24		42189501	230	24		42193151	230	24	
On Request	115	6		On Request	115	6		On Request	115	6		On Request	115	6	
On Request	115	9		On Request	115	9		On Request	115	9		On Request	115	9	
On Request	115	12		On Request	115	12		On Request	115	12		On Request	115	12	
On Request	115	15		On Request	115	15		On Request	115	15		On Request	115	15	
On Request	115	18		On Request	115	18		On Request	115	18		On Request	115	18	
On Request	115	24		On Request	115	24		On Request	115	24		On Request	115	24	
Pins	1-8	9-10	15-16	Pins	1-8	9-10	15-16	Pins	1-8	9-10	15-16	Pins	1-8	9-10	15-16
42181001	230	2x6		42185501	230	2x6		42190501	230	2x6		42193501	230	2x6	
42181501	230	2x9		42186001	230	2x9		42191001	230	2x9		42193511	230	2x9	
42182001	230	2x12		42186501	230	2x12		42191501	230	2x12		42193521	230	2x12	
42182501	230	2x15		42187001	230	2x15		42192001	230	2x15		42193531	230	2x15	
42183001	230	2x18		42187511	230	2x18		42192501	230	2x18		42193541	230	2x18	
42183501	230	2x21		42188001	230	2x21		42193001	230	2x21		42193551	230	2x21	
On Request	115	2x6		On Request	115	2x6		On Request	115	2x6		On Request	115	2x6	
On Request	115			On Request	115			On Request	115			On Request	115		
On Request	115			On Request	115			On Request	115			On Request	115		
On Request	115	2x21		On Request	115	2x21		On Request	115	2x21		On Request	115	2x21	

290VA EI120/55 H1=105mm W. 5.2Kg				315VA EI120/60 H1=110mm W. 5.7Kg				340VA EI120/65 H1=115mm W. 6.0Kg				370VA EI120/70 H1=120mm W. 6.4Kg			
Pins	1-8	10-15		Pins	1-8	10-15		Pins	1-8	10-15		Pins	1-8	10-15	
Code	Pri (V)	Sec(V)		Code	Pri (V)	Sec(V)		Code	Pri (V)	Sec(V)		Code	Pri (V)	Sec(V)	
42194001	230	6		42195001	230	6		42196001	230	6		42198101	230	6	
42194011	230	9		42195011	230	9		42196011	230	9		42198111	230	9	
42194021	230	12		42195021	230	12		42196021	230	12		42198121	230	12	
42194031	230	15		42195031	230	15		42196031	230	15		42198131	230	15	
42194041	230	18		42195041	230	18		42196041	230	18		42198141	230	18	
42194051	230	24		42195051	230	24		42196051	230	24		42198151	230	24	
On Request	115	6		On Request	115	6		On Request	115	6		On Request	115	6	
On Request	115	9		On Request	115	9		On Request	115	9		On Request	115	9	
On Request	115	12		On Request	115	12		On Request	115	12		On Request	115	12	
On Request	115	15		On Request	115	15		On Request	115	15		On Request	115	15	
On Request	115	18		On Request	115	18		On Request	115	18		On Request	115	18	
On Request	115	24		On Request	115	24		On Request	115	24		On Request	115	24	
Pins	1-8	9-10	15-16	Pins	1-8	9-10	15-16	Pins	1-8	9-10	15-16	Pins	1-8	9-10	15-16
42194501	230	2x6		42195501	230	2x6		42196301	230	2x6		42198201	230	2x6	
42194511	230	2x9		42195511	230	2x9		42196401	230	2x9		42198211	230	2x9	
42194521	230	2x12		42195521	230	2x12		42196501	230	2x12		42198221	230	2x12	
42194531	230	2x15		42195531	230	2x15		42197001	230	2x15		42198231	230	2x15	
42194541	230	2x18		42195541	230	2x18		42197501	230	2x18		42198241	230	2x18	
42194551	230	2x21		42195551	230	2x21		42198001	230	2x21		42198251	230	2x21	
On Request	115	2x6		On Request	115	2x6		On Request	115	2x6		On Request	115	2x6	
On Request	115			On Request	115			On Request	115			On Request	115		
On Request	115			On Request	115			On Request	115			On Request	115		
On Request	115	2x21		On Request	115	2x21		On Request	115	2x21		On Request	115	2x21	

Dati tecnici	Technical data
Conformità norme EN 61558-UL 5085	EN 61558-UL5085 approved
Marchio ENEC; classe B	ENEC mark; class B
Marchio cURus (UL+CSA); classe A	cURus mark; class A
Tensione di isolamento 3750 VAC	Insulation voltage 3750 VAC
Frequenza nominale 50/60 Hz	Nominal frequency 50/60 Hz
Temperatura ambiente 40 °C	Ambient temperature 40 °C
Conforme alla direttiva RoHS	RoHS conform
Grado di protezione IP00	Degree of protection IP00
Rocchetto a doppia camera	Two chambers coilformer
Avvolgimenti in rame smaltato classe H	Class H enamelled copper wire coils
Vernice isolante	Finishing varnish
Test elettrici sul 100% della produzione	100% tested production

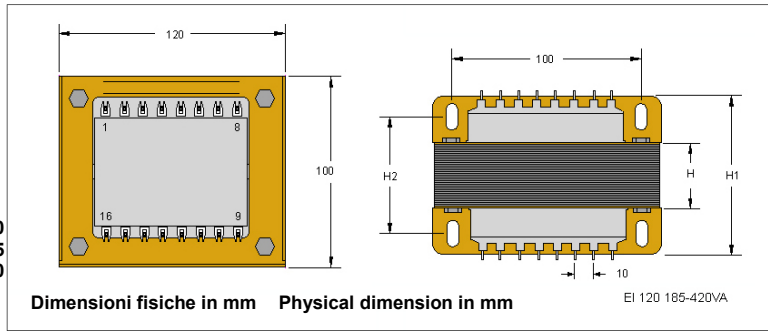


Su richiesta primario fino a 600V secondario fino a 600V
 On request primary up to 600V secondary up to 600V





185VA H2= 65
210VA H2= 70
240VA H2= 75
265VA H2= 80
290VA H2= 85
315VA H2= 90
340VA H2= 95
370VA H2=100
390VA H2=105
420VA H2=110



390VA EI120/75 H1=125mm W. 6.9Kg

Pins	1-8	10-15	
Code	Pri (V)	Sec(V)	
42198501	230	6	
42198511	230	9	
42198521	230	12	
42198531	230	15	
42198541	230	18	
42198551	230	24	
On Request	115	6	
On Request	115	9	
On Request	115	12	
On Request	115	15	
On Request	115	18	
On Request	115	24	
Pins	1-8	9-10	15-16
42198601	230	2x6	
42198611	230	2x9	
42198621	230	2x12	
42198631	230	2x15	
42198641	230	2x18	
42198651	230	2x21	
On Request	115	2x6	
On Request	115		
On Request	115		
On Request	115	2x21	

420VA EI120/80 H1=130mm W. 7.0Kg

Pins	1-8	10-15	
Code	Pri (V)	Sec(V)	
42199001	230	6	
42199011	230	9	
42199021	230	12	
42199031	230	15	
42199041	230	18	
42199051	230	24	
On Request	115	6	
On Request	115	9	
On Request	115	12	
On Request	115	15	
On Request	115	18	
On Request	115	24	
Pins	1-8	9-10	15-16
42199501	230	2x6	
42199511	230	2x9	
42199521	230	2x12	
42199531	230	2x15	
42199541	230	2x18	
42199551	230	2x21	
On Request	115	2x6	
On Request	115		
On Request	115		
On Request	115	2x21	

Dati tecnici	Technical data
Conformità norme EN 61558-UL 5085	EN 61558-UL5085 approved
Marchio ENEC; classe B	ENEC mark; class B
Marchio cURus (UL+CSA); classe A	cURus mark; class A
Tensione di isolamento 3750 VAC	Insulation voltage 3750 VAC
Frequenza nominale 50/60 Hz	Nominal frequency 50/60 Hz
Temperatura ambiente 40 °C	Ambient temperature 40 °C
Conforme alla direttiva RoHS	RoHS conform
Grado di protezione IP00	Degree of protection IP00
Rocchetto a doppia camera	Two chambers coilformer
Avvolgimenti in rame smaltato classe H	Class H enamelled copper wire coils
Vernice isolante	Finishing varnish
Test elettrici sul 100% della produzione	100% tested production



Su richiesta primario fino a 600V secondario fino a 600V
On request primary up to 600V secondary up to 600V

